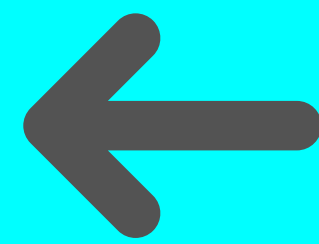
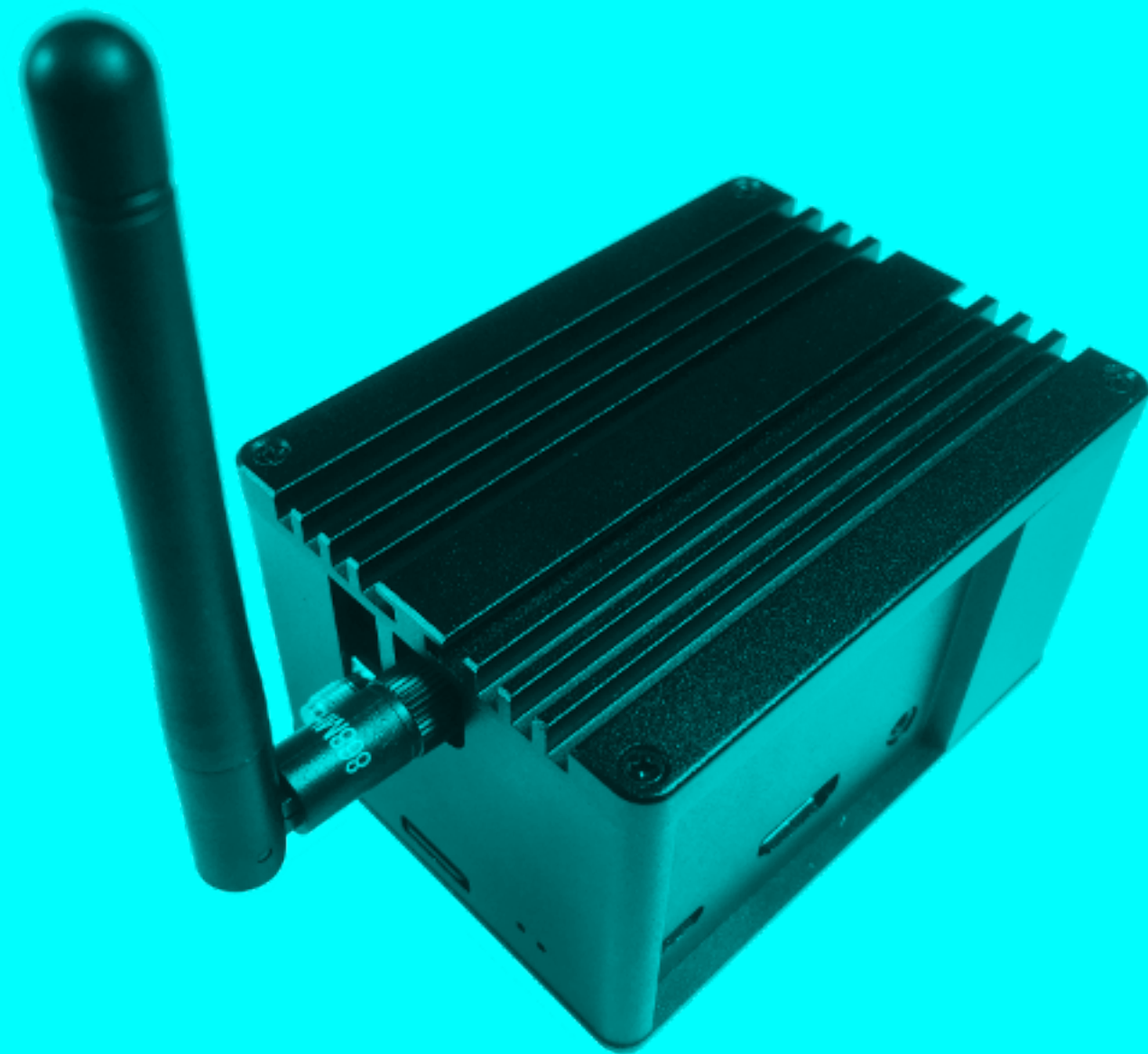


LORA / LORAWAN TUTORIAL 30

Semtech UDP Packet Forwarder Configuration Files Explained



`global_conf.json`
`local_conf.json`

INTRO

- In this tutorial I will give a simplified explanation of what the parameters mean in the global and local JSON configuration files.

PACKET FORWARDER CONFIGURATION FILES

- The Semtech UDP Packet Forwarder (https://github.com/Lora-net/packet_forwarder) is configured by the global configuration file `global_conf.json`.
- It has two sections: the radio settings (`SX1301_conf`) and server settings (`gateway_conf`).

```
{  
  "sx1301_conf": {...},  
  "gateway_conf": {...}  
}
```

PACKET FORWARDER CONFIGURATION FILES

- The radio settings (`SX1301_conf`) should contain the parameters for the Lora concentrator board (e.g. RF channels definition, modem parameters, etc).
- The server settings (`gateway_conf`) should contain the gateway parameters (e.g. IP address of the server, keep-alive time, etc).
- If parameters are defined in both the global and local configuration file, the local definition overwrites the global definition.
- Recommended is to make changes in the local configuration file (`local_conf.json`).

PACKET FORWARDER CONFIGURATION FILES

- Here is an example of a global and local configuration file:
 - https://github.com/robertlie/RAK831-LoRaGateway-RPi/blob/master/configuration_files/EU-global_conf.json
 - https://github.com/robertlie/RAK831-LoRaGateway-RPi/blob/master/configuration_files/local_conf.json

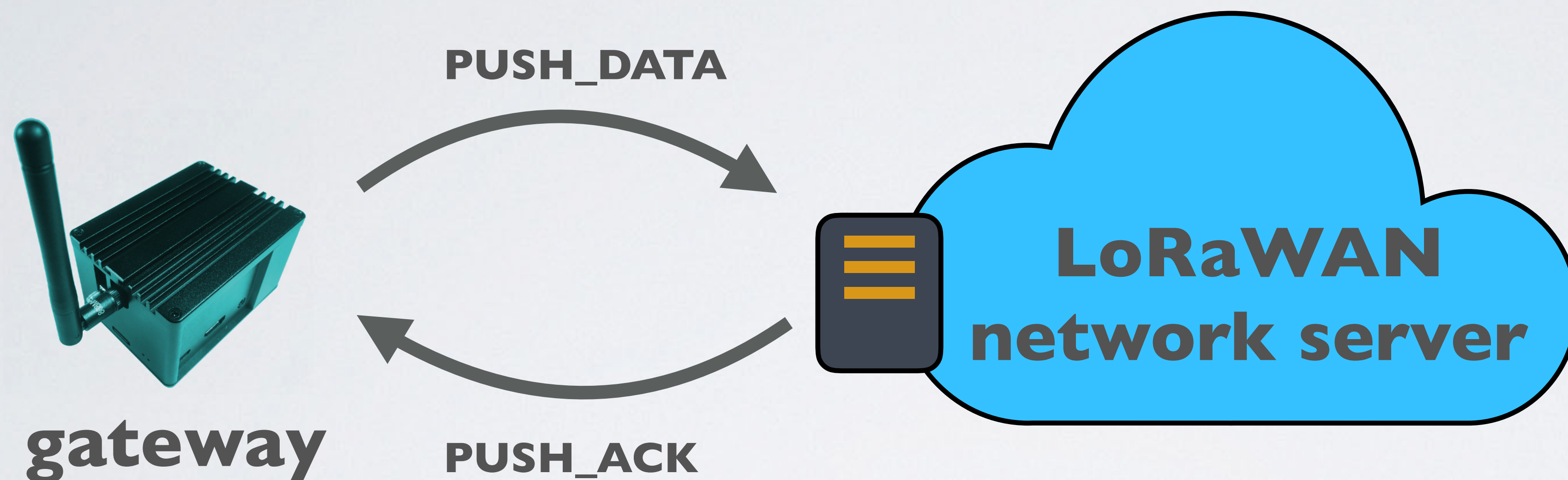
GLOBAL_CONF.JSON: GATEWAY_CONF

| Name | Type | Function |
|---|------------------|--|
| <code>gateway_conf</code> Configure the gateway. | | |
| <code>gateway_ID</code> | string | The gateway ID or gateway EUI is based on the MAC address. The gateway identifier is sent in each message to the network server. Default value: 0 More information: Tutorial 28 |
| <code>server_address</code> | string | Network server hostname or IP address. Default value: 127.0.0.1 More information: Tutorial 28 |
| <code>serv_port_up</code> | unsigned integer | Network server port for uplinks. Default value: 1780 More information: Tutorial 29 |
| <code>serv_port_down</code> | unsigned integer | Network server port for downlinks. Default value: 1782 More information: Tutorial 29 |

GLOBAL_CONF.JSON: GATEWAY_CONF

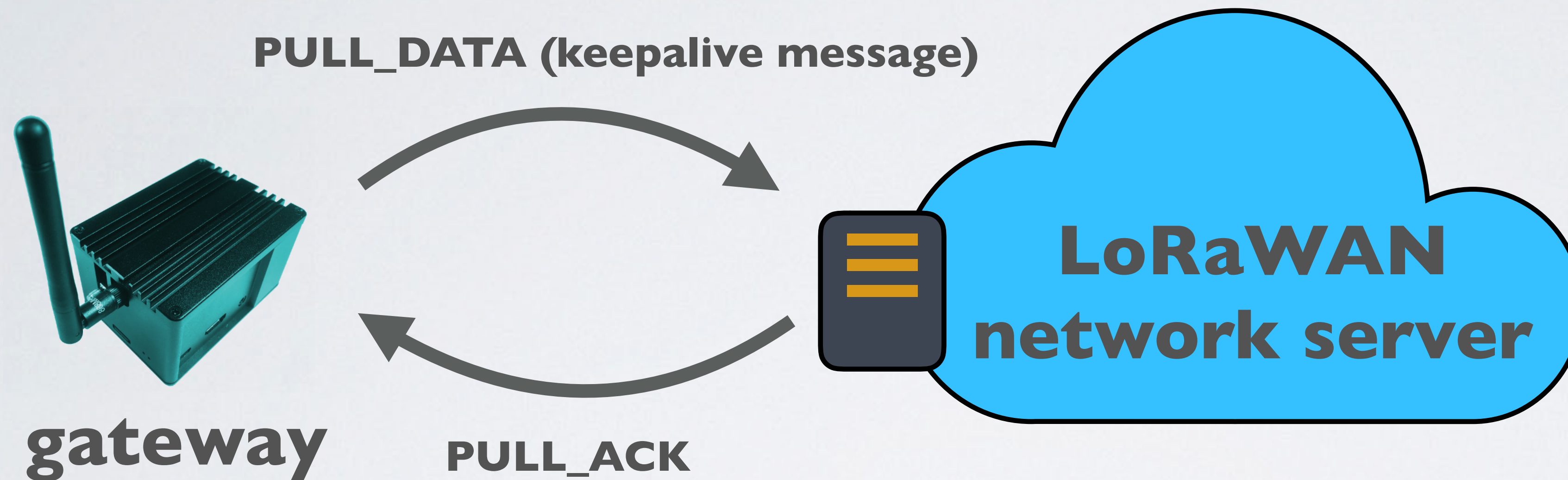
| Name | Type | Function |
|---|------------------|--|
| <code>gateway_conf</code> Configure the gateway. | | |
| <code>keepalive_interval</code> | signed integer | Keep-alive interval in seconds for downlinks. Sends a keepalive message (PULL_DATA packet) every X seconds from gateway to the network server to ensure downlinks. Default value: 5 More information: Tutorial 29 |
| <code>push_timeout_ms</code> | signed integer | Time-out value in ms for uplinks (PUSH_DATA). Default value: 100 |
| <code>autoquit_threshold</code> | unsigned integer | Auto-quit threshold. If the number of non-acknowledged PULL_DATA packets exceeds the threshold, auto-quit. Default value: 0 |

PUSH_TIMEOUT_MS EXPLAINED



push_timeout_ms specifies the timeout limit in milliseconds on how long the **LoRaWAN** network server waits for the **PUSH_DATA** operation to complete.
More information about PUSH_DATA, see Tutorial 29.

AUTOQUIT_THRESHOLD EXPLAINED



For example: `autoquit_threshold = 5`

An autoquit counter (`autoquit_cnt`) counts the number of `PULL_DATA` packages sent since the latest `PULL_ACK`.

**If `autoquit_cnt > autoquit_threshold`, the concentrator will be stopped.
More information about `PULL_DATA` & `PULL_ACK`, see Tutorial 29.**

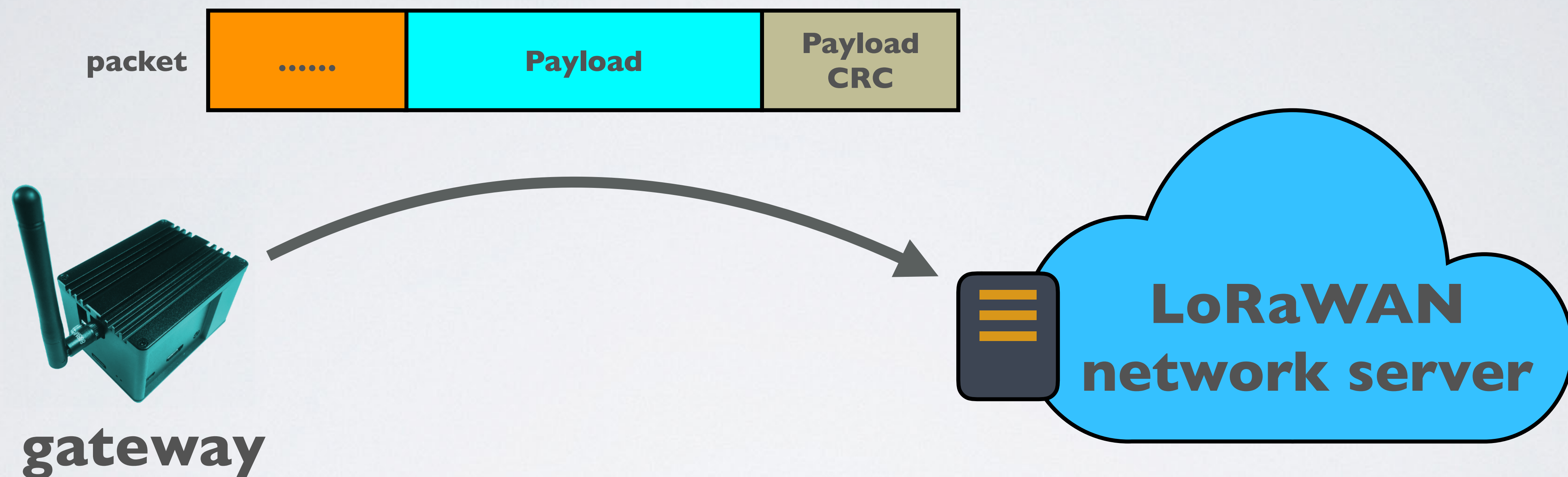
GLOBAL_CONF.JSON: GATEWAY_CONF

| Name | Type | Function |
|------------------------|------------------|--|
| gateway_conf | | |
| Configure the gateway. | | |
| stat_interval | unsigned integer | <p>Interval in seconds for status information / statistics display. Default value: 30 Every X seconds:</p> <ul style="list-style-type: none"> - The gateway statistics information is logged in /var/log/syslog <p>The start of statistics information: ##### 2019-01-29 12:12:44 GMT #####</p> <p>The end of statistics information: ##### END #####</p> <ul style="list-style-type: none"> - A stat JSON object with gateway status information is sent to the network server. More information: Tutorial 29 - The Last Seen message in the TTN console is updated. More information: Tutorial 29 |

GLOBAL_CONF.JSON: GATEWAY_CONF

| Name | Type | Function |
|---|------|--|
| <code>gateway_conf</code> Configure the gateway. | | |
| <code>forward_crc_valid</code> | bool | If true, packets received with a valid CRC will be forwarded. CRC stands for Cyclic Redundancy Check and is an error-detecting code to detect accidental changes to raw data. Default value: true |
| <code>forward_crc_error</code> | bool | If true, packets received with CRC error will be forwarded. Default value: false |
| <code>forward_crc_disabled</code> | bool | If true, packets received with no CRC will be forwarded. Default value: false |

FORWARD_CRC_NNN EXPLAINED



Should the packet be forwarded if payload CRC = OK and **forward_crc_valid** = true: Yes

Should the packet be forwarded if payload CRC = NOK and **forward_crc_error** = true: Yes

Should the packet be forwarded if payload has no CRC and **forward_crc_disabled** = false: No

More information about payload CRC, see Tutorial 17.

GLOBAL_CONF.JSON: GATEWAY_CONF

| Name | Type | Function |
|---|----------------|--|
| <code>gateway_conf</code> Configure the gateway. | | |
| <code>gps_tty_path</code> | string | The GPS module TTY path. If the path is set, the GPS module is enabled. If this parameter is not found, GPS is disabled for this gateway and the TTY port is not opened for GPS synchronisation. For example for the RAK831 concentrator: <code>gps_tty_path="/dev/ttyAMA0"</code> |
| <code>ref_latitude</code> | float | The gateway reference latitude in degrees. |
| <code>ref_longitude</code> | float | The gateway reference longitude in degrees. |
| <code>ref_altitude</code> | signed integer | The gateway reference altitude in meters. |
| <code>fake_gps</code> | bool | If true, the gateway will use the hardcoded (aka. fake) <code>ref_latitude</code> , <code>ref_longitude</code> and <code>ref_altitude</code> instead of the real GPS coordinates. |

The 5 keys mentioned above are explained in Tutorial 28.

GLOBAL_CONF.JSON: GATEWAY_CONF

| Name | Type | Function |
|---|------------------|---|
| <code>gateway_conf</code> Configure the gateway. | | |
| <code>beacon_period</code> | unsigned integer | The beacon signal period in seconds. Default value: 0 Allowed values: ≥ 6 |
| <code>beacon_freq_hz</code> | unsigned integer | The beaconing signal will be emitted at specified TX frequency in Hz. Default value: 869525000 |
| <code>beacon_freq_nb</code> | unsigned integer | The number of beacon channels. Default value: 1 |
| <code>beacon_freq_step</code> | unsigned integer | The frequency step between beacon channels in Hz. Default value: 0 |
| <code>beacon_datarate</code> | unsigned integer | The beacon datarate (Spreading Factor) Default value: 9 |

The keys mentioned above will be explained in a future video when demonstrating class B devices.

GLOBAL_CONF.JSON: GATEWAY_CONF

| Name | Type | Function |
|---|------------------|---|
| <code>gateway_conf</code> Configure the gateway. | | |
| <code>beacon_bw_hz</code> | unsigned integer | The beacon modulation bandwidth in Hz. Default value: 125000 |
| <code>beacon_power</code> | unsigned integer | The beaconing TX power in dBm. Default value: 14 |
| <code>beacon_infodesc</code> | unsigned integer | The beacon information descriptor. Default value: 0 |

The keys mentioned above will be explained in a future video when demonstrating class B devices.

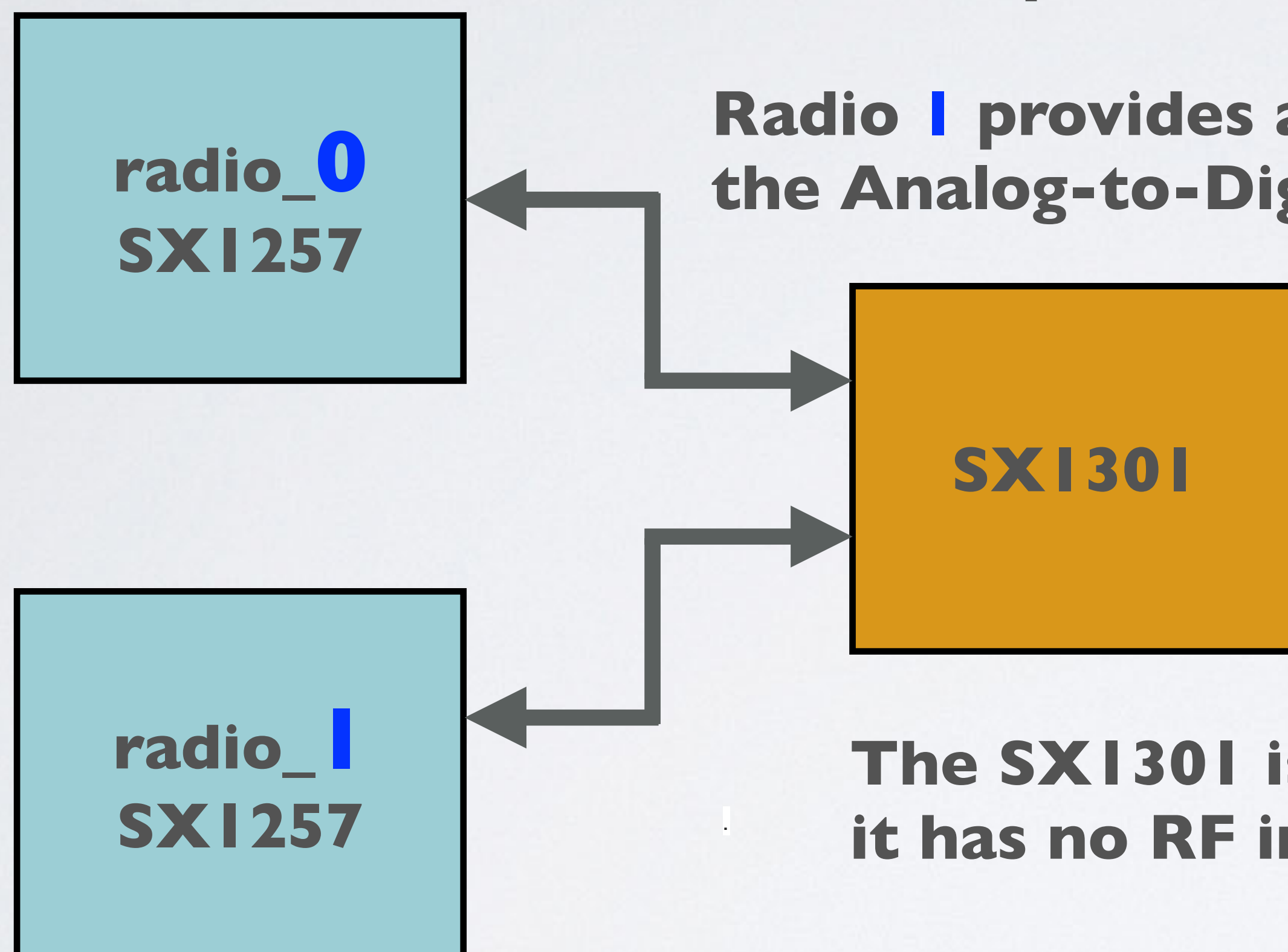
GLOBAL_CONF.JSON: SX1301_CONF

| Name | Type | Function |
|---|------------------|--|
| SX1301_conf Configure the gateway board. | | |
| lorawan_public | bool | Enable ONLY for public networks using the LoRa MAC protocol. If false, sync word (preamble) = 0x12. If true, sync word = 0x34. Default value: false. |
| clksrc | unsigned integer | Index of the radio (radio_N, where N=0 or 1), which provides the clock to the concentrator. Default value: 0. Note: radio_1 provides the clock to the concentrator for most devices except MultiTech. For MultiTech set to 0. |
| antenna_gain | signed integer | Antenna gain in dBi dBd. More information about dBd, see Tutorial 5. Antenna gain value is subtracted from TX power value which the network server requests from the gateway. It affects the downlink, not the uplink. Default value: 0. A more detailed explanation of the antenna gain will be given when explaining the Lookup Table keys. |

CLKSRC EXPLAINED

For example: clksrc=1

Radio 1 provides a clock to the SXI301 for the Analog-to-Digital Converter.



The SXI301 is a baseband processor and not a radio, it has no RF interface.

GLOBAL_CONF.JSON: SX1301_CONF.LBT_CFG

| Name | Type | Function |
|---|----------------|--|
| SX1301_conf.lbt_cfg Make sure the concentrator supports the Listen-Before-Talk (LBT) feature and LBT is supported in your region. If LBT is enabled, the gateway continuously monitors the channels (Listen). The gateway will only transmit when a channel is not in use (Talk). If the lbt_cfg parameter is not found, LBT is not set. | | |
| enable | bool | Enable or disable LBT. If true, LBT is enabled. Default value: false. |
| rss_i_target | signed integer | The RSSI threshold in dBm to detect if the channel is busy or not. Below this threshold, TX will be allowed. If enable=true, set the rss_i_target. Default value: 0. More information about RSSI: Tutorial 10 |
| sx127x_rssi_offset | signed integer | The RSSI offset in dBm to apply to RSSI reading from the radio front end. If enable=true, set the sx127x_rssi_offset. Default value: 0. |

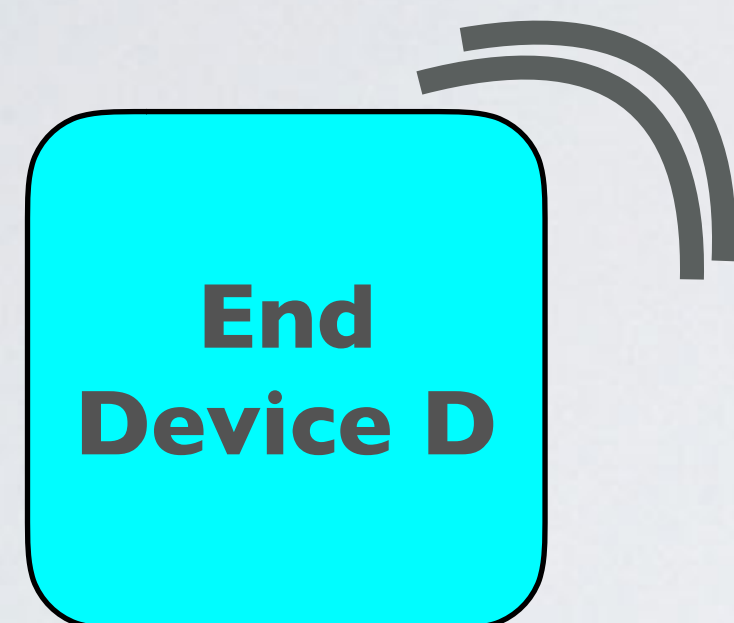
GLOBAL_CONF.JSON: SX1301_CONF.LBT_CFG

| Name | Type | Function |
|--|------------------|---|
| <code>SX1301_conf.lbt_cfg.chan_cfg</code> If <code>enable=true</code> , check if <code>chan_cfg</code> is set. <code>"chan_cfg":[{ "freq_hz": 867100000, "scan_time_us": 128 }, {...}, ...]</code> Each LBT channel has the parameters <code>freq_hz</code> and <code>scan_time_us</code> . Maximum 8 LBT channels can be configured. | | |
| <code>freq_hz</code> | unsigned integer | Center frequency to track for LBT. Default value: 0. |
| <code>scan_time_us</code> | unsigned integer | Channel scan time in microseconds to track RSSI before TX. Allowed values: 128 or 5000. Default value: 0. |

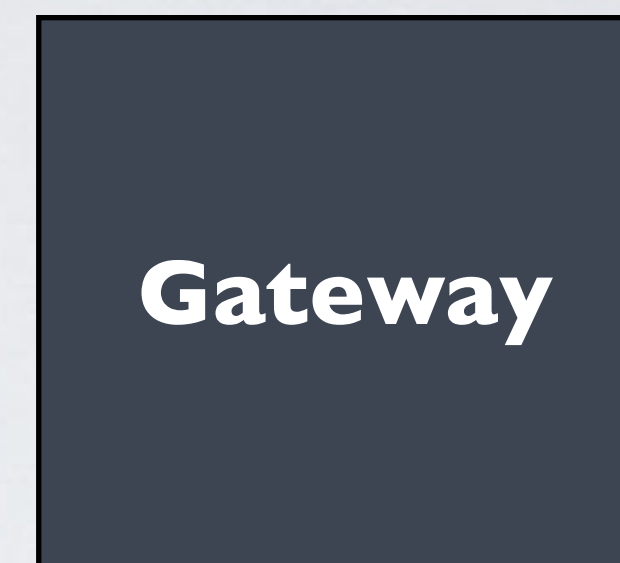
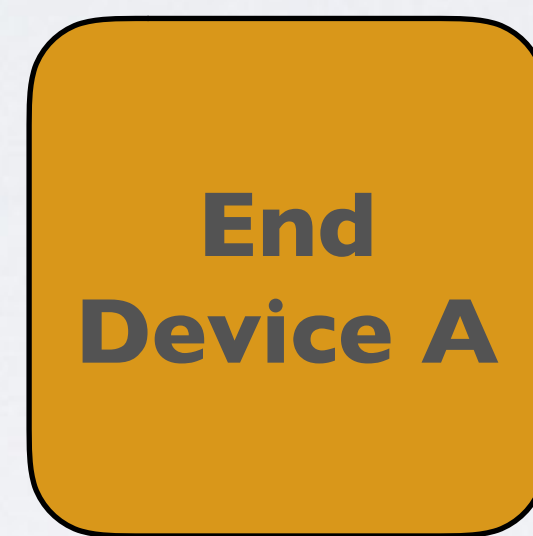
GLOBAL_CONF.JSON: SX1301_CONF.LBT_CFG

- Listen-Before-Talk (LBT) is a mandatory requirement in some countries, such as South Korea. See LoRaWAN 1.0.2 Regional Parameters document [Ref 4].
- LBT prevents end devices from transmitting at the same time on the same channel.
- LBT means the end device checks (=Listen) if the intended channel is free. If the channel is not free, the end device changes to another channel and repeats the LBT procedure. If the channel is free it transmits (=Talk).

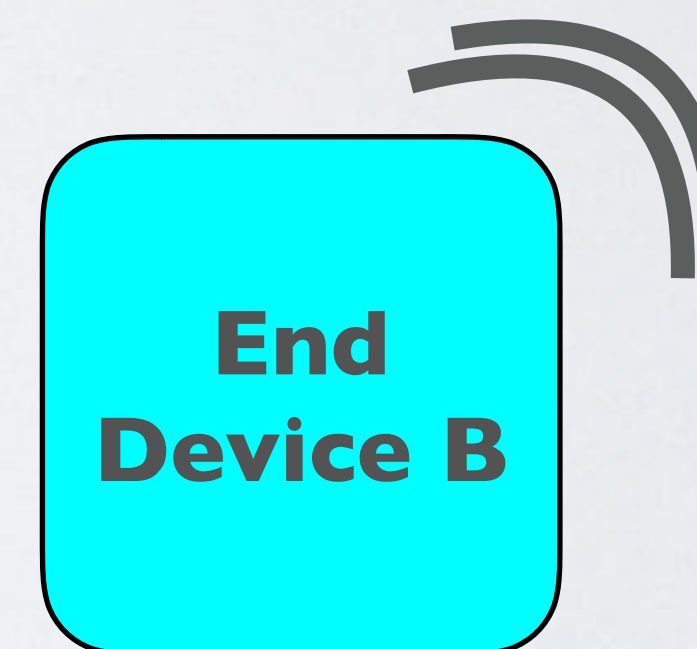
RSSI_TARGET EXPLAINED



4. Tx @ 923.0 MHz



1. Select freq to Tx, e.g. freq 922.4 MHz
2. Scan freq 922.4 MHz
5. Read RSSI (Dev B: scanned RSSI=-50 dBm)
6. Compare with rssi_target = -80 dBm
scanned RSSI < rssi_target: **DO NOT USE FREQ**
7. Select another freq to Tx, e.g. 922.6 MHz

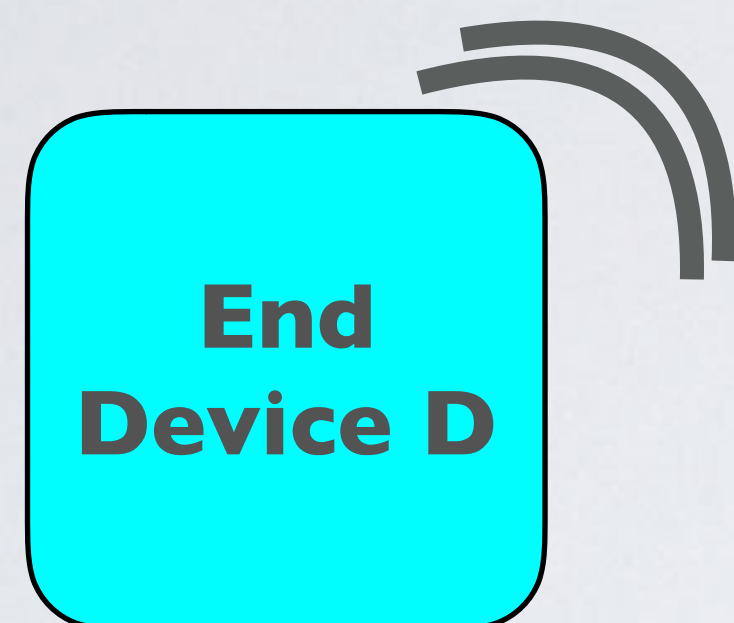


3. Tx @ 922.4 MHz

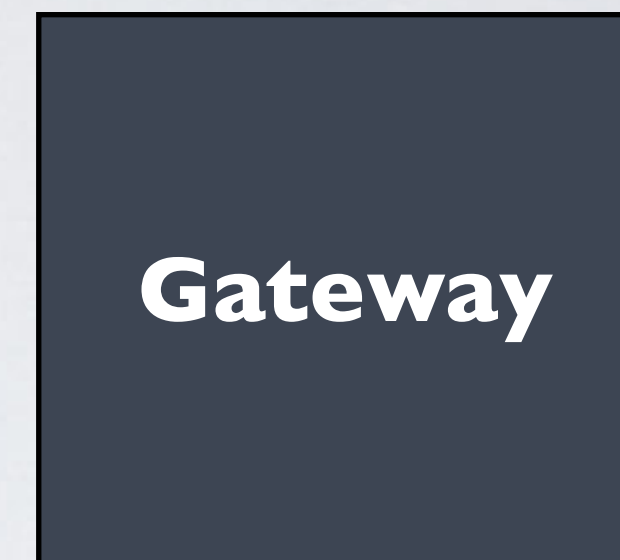
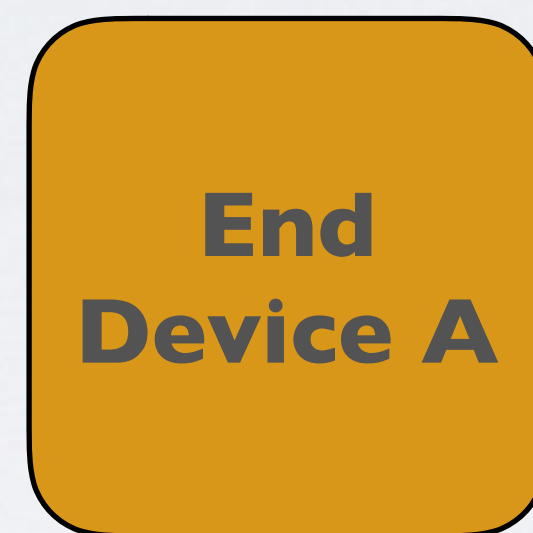
Max. 8 channels

| Freq (MHz) | Scan Time (us) |
|------------|----------------|
| 923.2 | 128 |
| 923.4 | 128 |
| 922.2 | 128 |
| 922.4 | 128 |
| 922.6 | 128 |
| 922.8 | 128 |
| 923.0 | 128 |
| 922.0 | 128 |

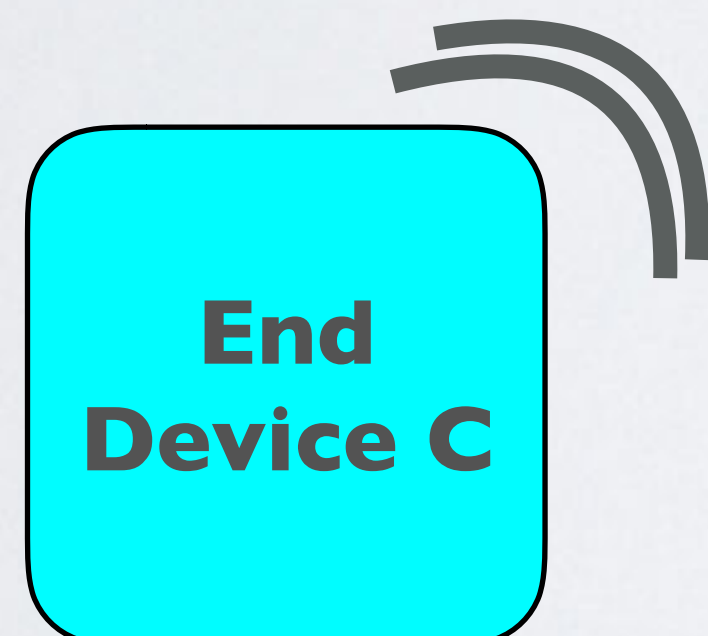
RSSI_TARGET EXPLAINED



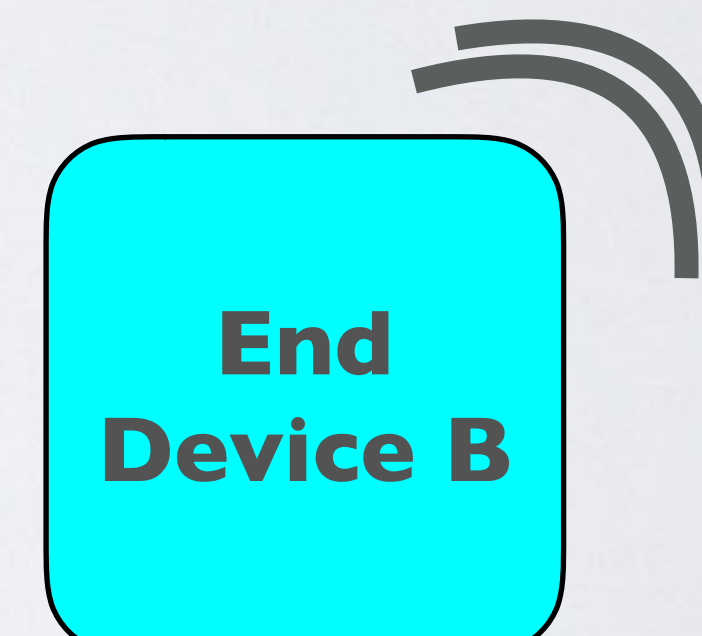
4. Tx @ 923.0 MHz



1. Select freq to Tx, e.g. freq 922.4 MHz
2. Scan freq 922.4 MHz
5. Read RSSI (Dev B: scanned RSSI=-50 dBm)
6. Compare with rssi_target = -80 dBm
scanned RSSI < rssi_target: **DO NOT USE FREQ**
7. Select another freq to Tx, e.g. 922.6 MHz
9. Scan freq 922.6 MHz (Dev C: scanned RSSI=-100 dBm)
10. Compare with rssi_target = -80 dBm
scanned RSSI < rssi_target: **USE FREQ**
11. Device A Tx @ 922.6 MHz



8. Tx @ 922.6 MHz



3. Tx @ 922.4 MHz

CHECK LBT SUPPORT

- The RAK831 concentrator does not support LBT.

```
robertlie — pi@ttn-gateway: /var/log — ssh pi@192.168.1.71 — 110x22
Feb 27 16:43:03 ttn-gateway ttn-gateway[1382]: INFO: Reference latitude is configured to 0.000000 deg
Feb 27 16:43:03 ttn-gateway ttn-gateway[1382]: INFO: Reference longitude is configured to 0.000000 deg
Feb 27 16:43:03 ttn-gateway ttn-gateway[1382]: INFO: Reference altitude is configured to 0 meters
Feb 27 16:43:03 ttn-gateway ttn-gateway[1382]: INFO: Auto-quit after 0 non-acknowledged PULL_DATA
Feb 27 16:43:03 ttn-gateway ttn-gateway[1382]: ERROR: [main] failed to start the concentrator
Feb 27 16:43:03 ttn-gateway systemd[1]: ttn-gateway.service: Main process exited, code=exited, status=1
Feb 27 16:43:03 ttn-gateway systemd[1]: ttn-gateway.service: Unit entered failed state.
Feb 27 16:43:03 ttn-gateway systemd[1]: ttn-gateway.service: Failed with result 'exit-code'.
Feb 27 16:43:08 ttn-gateway systemd[1]: ttn-gateway.service: Service hold-off time over, scheduling restart.
Feb 27 16:43:08 ttn-gateway systemd[1]: Stopped The Things Network Gateway.
Feb 27 16:43:08 ttn-gateway systemd[1]: Started The Things Network Gateway.
Feb 27 16:43:09 ttn-gateway ttn-gateway[1404]: ERROR: No support for LBT in FPGA
Feb 27 16:43:09 ttn-gateway ttn-gateway[1404]: *** Beacon Packet Forwarder for Lora Gateway ***
Feb 27 16:43:09 ttn-gateway ttn-gateway[1404]: Version: 4.0.1
Feb 27 16:43:09 ttn-gateway ttn-gateway[1404]: *** Lora concentrator HAL library version info ***
Feb 27 16:43:09 ttn-gateway ttn-gateway[1404]: Version: 5.0.1;
Feb 27 16:43:09 ttn-gateway ttn-gateway[1404]: ***
Feb 27 16:43:09 ttn-gateway ttn-gateway[1404]: INFO: Little endian host
Feb 27 16:43:09 ttn-gateway ttn-gateway[1404]: INFO: found global configuration file global_conf.json,
```

CHECK LBT SUPPORT

- In case you wonder how I got previous log message, I have done the following:
- For **DEMONSTRATION PURPOSE** I have copied the “lbt_cfg” values from https://github.com/robertlie/RAK831-LoRaGateway-RPi/blob/master/configuration_files/AS1-global_conf.json into my global_conf.json file (Region: EU), and set lbt_cfg.enable=true.
- Next I have set DEBUG_LBT=1 in the library.cfg file and compiled the code, see Tutorial 28.2.

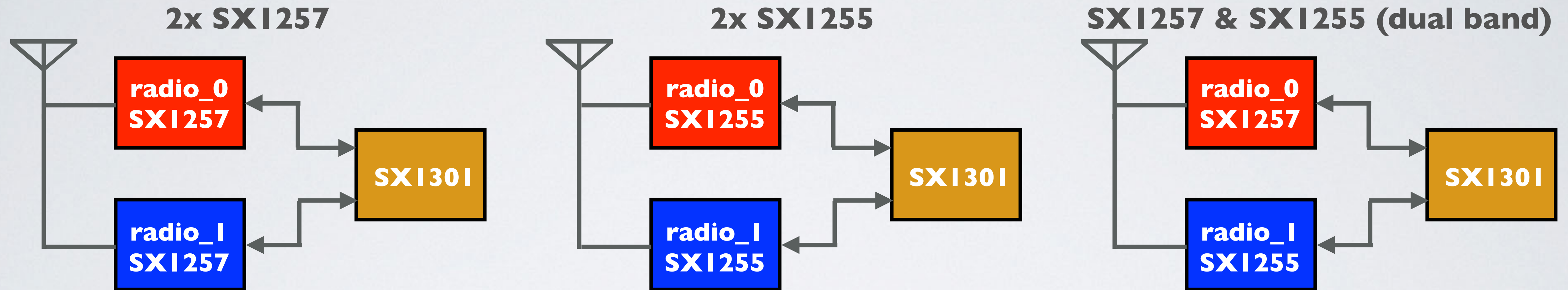
GLOBAL_CONF.JSON: SX1301_CONF.RADIO_N

| Name | Type | Function |
|---|------------------|--|
| SX1301_conf.radio_N (N=0 or 1) Configure the concentrator RF chain aka radio channels. | | |
| enable | bool | Enable or disable the radio. If true, radio is enabled for use. Default value: false. |
| freq | unsigned integer | Center frequency of the radio in Hz to listen for packets. The exact frequency the gateway transmits on is specified by the network server. If enable=true, set freq. |
| rss_offset | signed float | Board dependant RSSI offset in dBm to adjust the radio RSSI reading. If enable=true, set rss_offset. |
| type | string | Radio type (SX1255 or SX1257). If enable=true, set type. |

GLOBAL_CONF.JSON: SX1301_CONF.RADIO_N

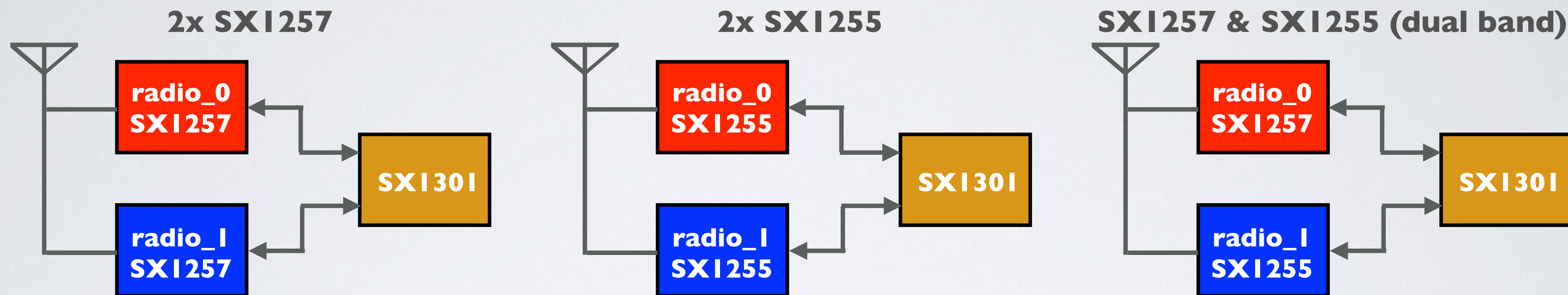
| Name | Type | Function |
|--|------------------|---|
| SX1301_conf.radio_N (N=0 or 1) Configure the concentrator radio channels. | | |
| tx_enable | bool | Enable or disable TX on the radio. If enable=true and tx_enable=true, the radio can be used for transmissions. Default value: false. |
| tx_notch_freq | unsigned integer | TX notch filter frequency in Hz. If enable=true and tx_enable=true, set tx_notch_freq. This is used by FPGA. Allowed values:126000-250000 |
| tx_freq_min | unsigned integer | The minimum frequency allowed for transmissions. If enable=true and tx_enable=true, set tx_freq_min. Acts as a fail safe if the network server tells to use a freq. that falls outside the tx_freq_min and tx_freq_max range. |
| tx_freq_max | unsigned integer | The maximum frequency allowed for transmissions. If enable=true and tx_enable=true, set tx_freq_max. Acts as a fail safe if the network server tells to use a freq. that falls outside the tx_freq_min and tx_freq_max range. |

RADIO TYPE EXPLAINED



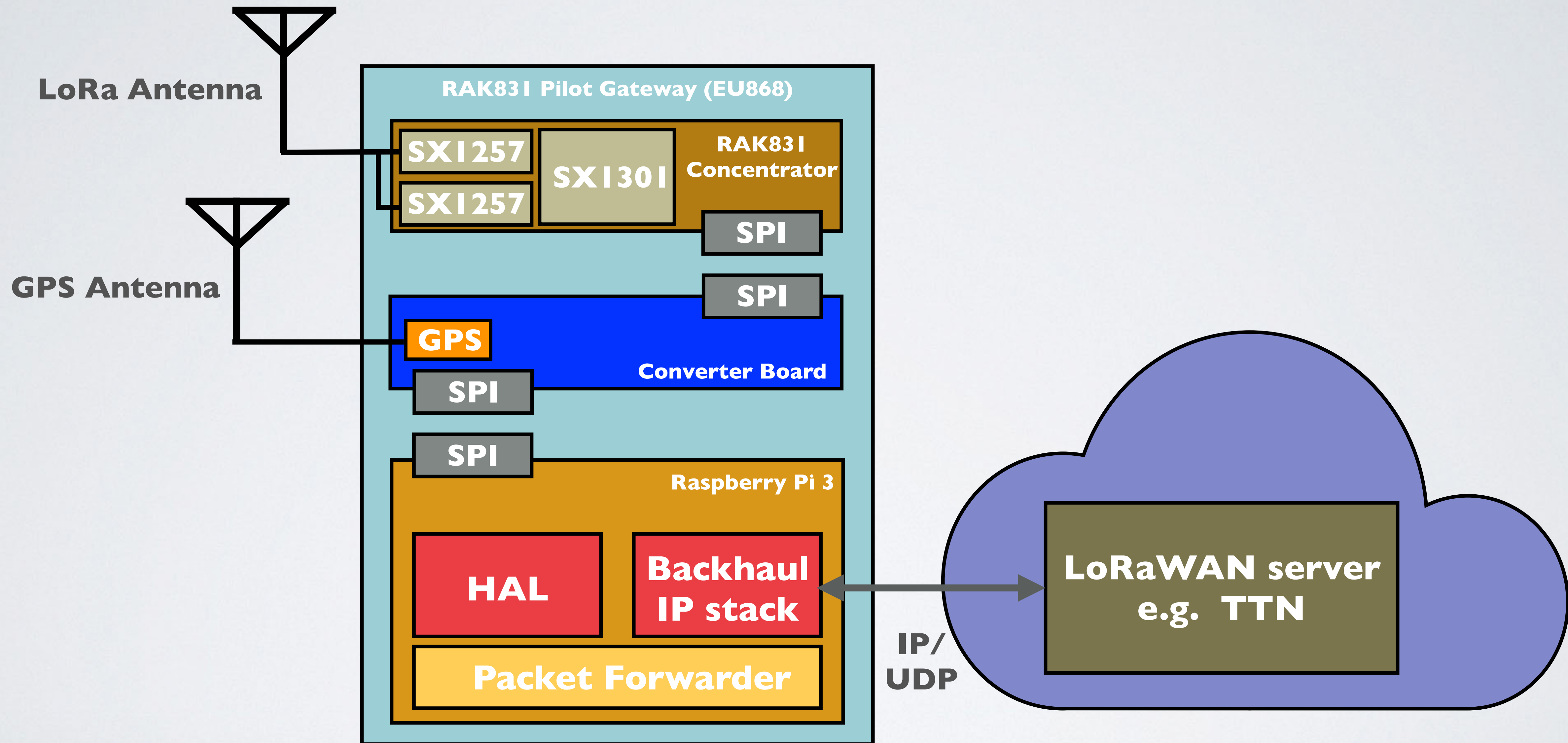
- The SX1257/55 radios captures the LoRa uplink packets and sends the digital signal to the SX1301 digital baseband chip which demodulates the signal. This processed signal is used by the Micro Controller Unit (MCU).
- The SX1257 chip can be configured to any frequency inside the 868/900 MHz ISM band. The SX1255 chip can be configured around the 433MHz ISM band.

RADIO TYPE EXPLAINED

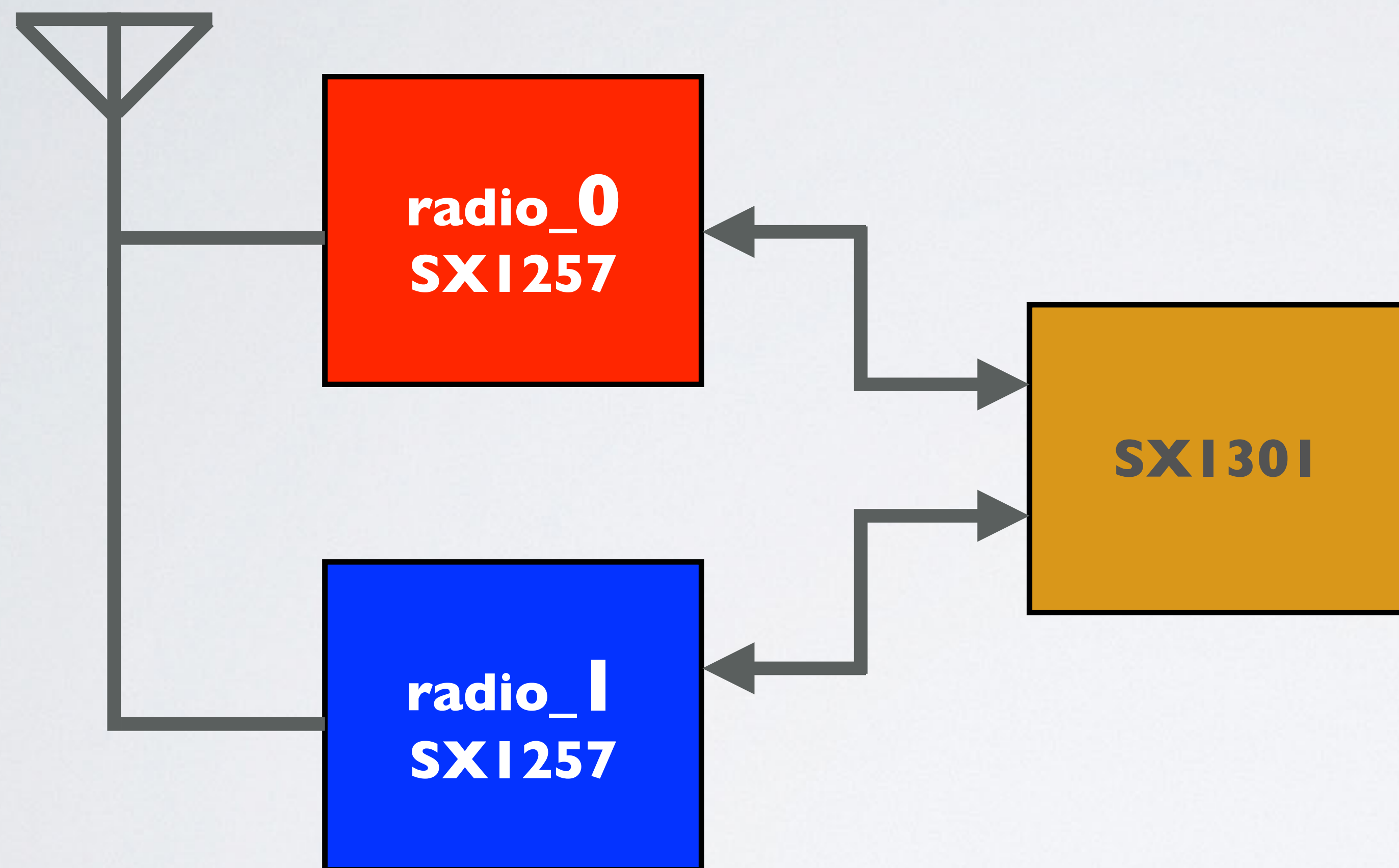


- Most commercial concentrators, using the SXI301 chip is build according to one of the three above mentioned configurations.
- For example if you buy the RAK831 Pilot Gateway (EU868 freq. range 865MHz-872 MHz), the concentrator uses two SXI257 radio's.

RADIO TYPE EXPLAINED



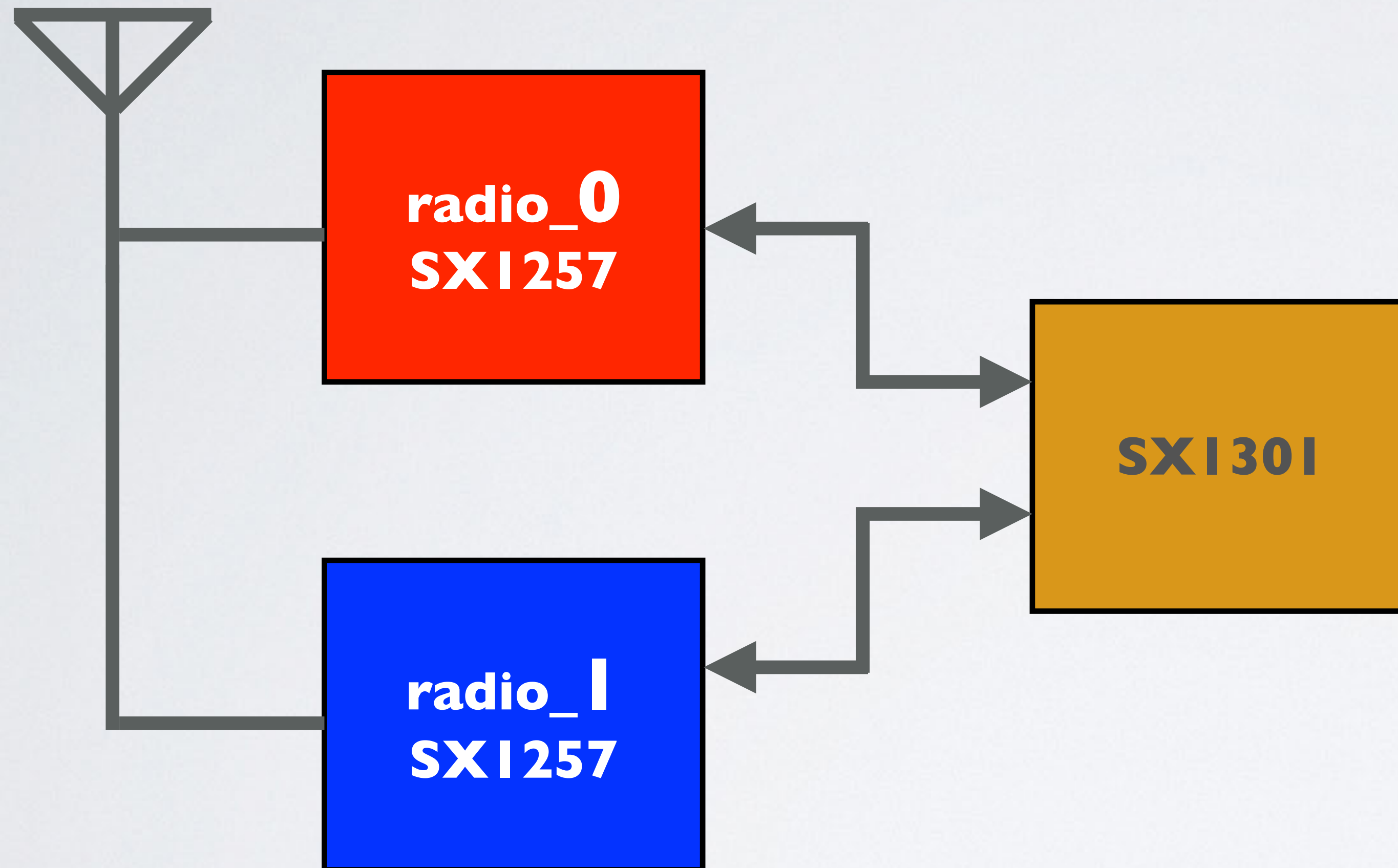
SEVERAL RADIO_N PARAMETERS EXPLAINED



```
radio_0
enable=true
type=SX1257
freq=867.5MHz
rssi_offset=-166.0 dBm
tx_enable=true
tx_freq_min=863.0 MHz
tx_freq_max=870.0 MHz
```

```
radio_1
enable=true
type=SX1257
freq=868.5MHz
rssi_offset=-166.0 dBm
tx_enable=false
```

SEVERAL RADIO_N PARAMETERS EXPLAINED



radio_0

enable=true

tx_enable = true

This radio is used to transmit data.

Only if tx_enable = true, then tx_freq_min, tx_freq_max and tx_notch_freq are used.

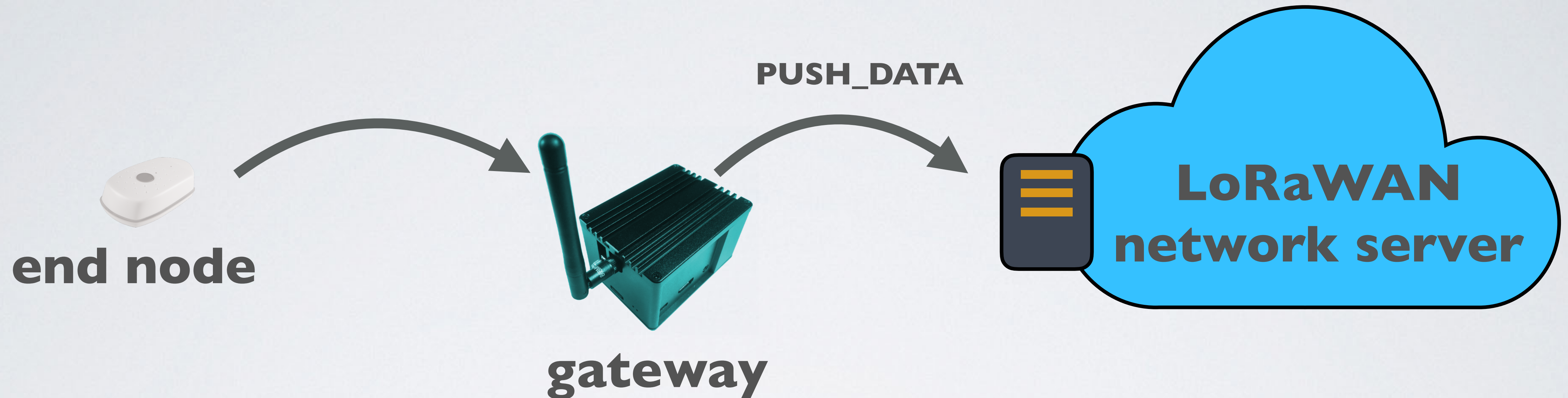
radio_1

enable=true

tx_enable = false

This radio is not used to transmit data.

RSSI_OFFSET EXPLAINED



1. The end node transmits a message.
2. The gateway receives the message. It also measures the RSSI.
3. The measured RSSI will be adjusted by `rss_offset` and additional offset.
4. The gateway creates a **PUSH_DATA** packet containing the adjusted RSSI which is sent to LoRaWAN network server.

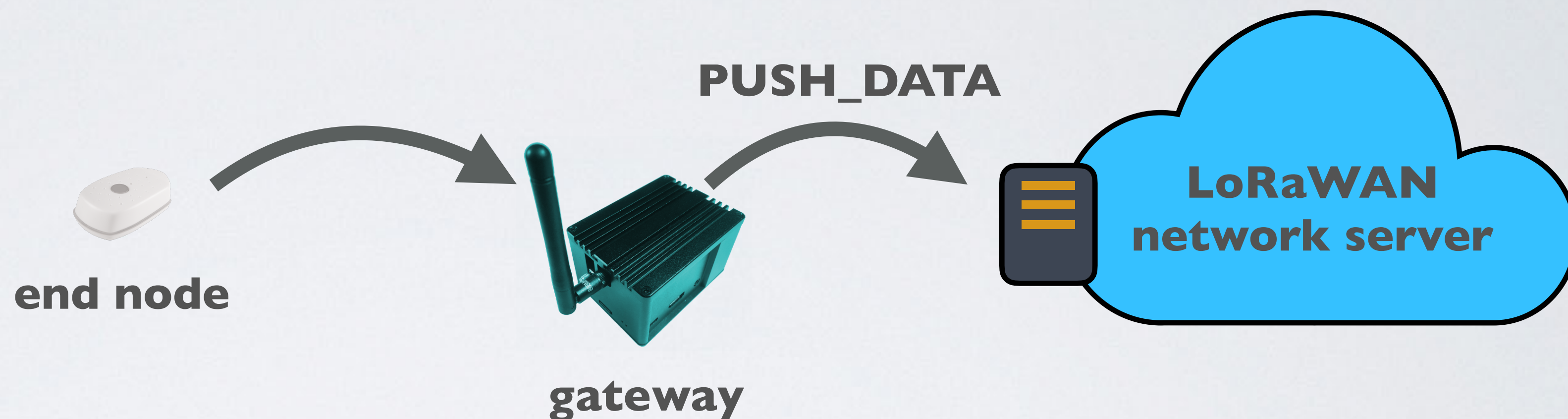
More information about RSSI, see Tutorial 10.

More information about **PUSH_DATA**, see Tutorial 29.

RSSI_OFFSET EXPLAINED

PUSH_DATA

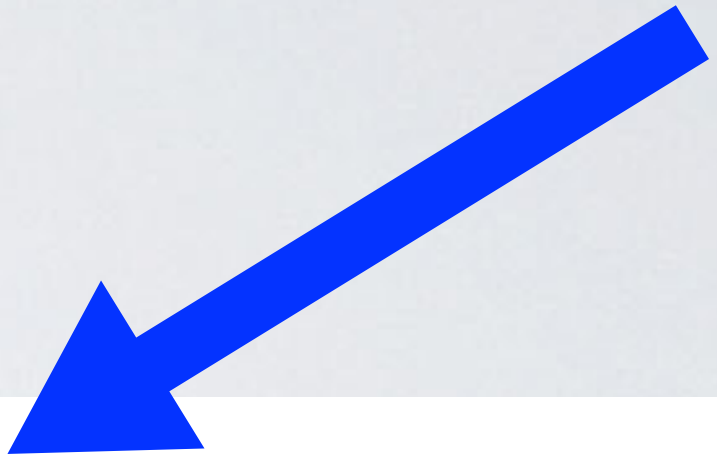
```
{ "rxpk" :  
  [  
    {  
      "tmst" : 2675812,  
      "chan" : 5,  
      "rfch" : 0,  
      "freq" : 867.500000,  
      "stat" : 1,  
      "modu" : "LORA",  
      "datr" : "SF7BW125",  
      "codr" : "4/5",  
      "lsnr" : 7.0,  
      "rssi" : -57,  
      "size" : 17,  
      "data" : "QGojASaABAABpItDC2C3H8k="
```



Adjusted rssi = measured rssi + **rssi_offset** - additional offset
Note: additional offset (RSSI_MULTI_BIAS=-35)

TX_NOTCH_FREQ EXPLAINED

- Notch filtering (tx_notch_freq) is performed by an FPGA. The RAK831 concentrator has no FPGA.



```
Mar 7 15:03:47 ttn-gateway systemd[1]: Started The Things Network Gateway.
Mar 7 15:03:48 ttn-gateway ttn-gateway[1090]: lgw_connect:532: INFO: no FPGA detected or version not supported (v0)
Mar 7 15:03:48 ttn-gateway ttn-gateway[1090]: Note: success connecting the concentrator
Mar 7 15:03:48 ttn-gateway ttn-gateway[1090]: lgw_setup_sx125x:407: Note: SX125x #0 version register returned 0x48
Mar 7 15:03:48 ttn-gateway ttn-gateway[1090]: lgw_setup_sx125x:415: Note: SX125x #0 clock output disabled
Mar 7 15:03:48 ttn-gateway ttn-gateway[1090]: lgw_setup_sx125x:469: Note: SX125x #0 PLL start (attempt 1)
Mar 7 15:03:48 ttn-gateway ttn-gateway[1090]: lgw_setup_sx125x:469: Note: SX125x #0 PLL start (attempt 2)
Mar 7 15:03:48 ttn-gateway ttn-gateway[1090]: lgw_setup_sx125x:469: Note: SX125x #0 PLL start (attempt 3)
Mar 7 15:03:48 ttn-gateway ttn-gateway[1090]: lgw_setup_sx125x:407: Note: SX125x #1 version register returned 0x90
Mar 7 15:03:48 ttn-gateway ttn-gateway[1090]: lgw_setup_sx125x:412: Note: SX125x #1 clock output enabled
Mar 7 15:03:48 ttn-gateway ttn-gateway[1090]: lgw_setup_sx125x:469: Note: SX125x #1 PLL start (attempt 1)
Mar 7 15:04:41 ttn-gateway ttn-gateway[1090]: *** Beacon Packet Forwarder for Lora Gateway ***
Mar 7 15:04:41 ttn-gateway ttn-gateway[1090]: Version: 4.0.1
Mar 7 15:04:41 ttn-gateway ttn-gateway[1090]: *** Lora concentrator HAL library version info ***
Mar 7 15:04:41 ttn-gateway ttn-gateway[1090]: Version: 5.0.1;
Mar 7 15:04:41 ttn-gateway ttn-gateway[1090]: ***
```

- To check if a concentrator supports FPGA, set DEBUG_REG=1 in the library.cfg file, see Tutorial 28.2. Unfortunately I can not provide you more information about notch filtering.

GLOBAL_CONF.JSON: SX1301_CONF.CHAN_MULTISF_N

| Name | Type | Function |
|--|------------------|---|
| SX1301_conf.chan_multiSF_N (N=0-7) Configure the concentrator IF (Intermediate Frequency) channels. | | |
| enable | bool | Enable or disable the IF channel. If true, IF channel is enabled. Default value: false. |
| radio | unsigned integer | To which radio is the IF channel associated with to listen for packets. If enable=true, set radio. |
| if | signed integer | Centre frequency of the IF channel in Hz, relative to the associated radio frequency. IF allowed values: [-400000 to +400000] |

The Semtech packet forwarder v4.0.1 does not allow the user to set the bandwidth and SpreadFactor for LoRa multi-SF channels.

Bandwidth (BW) is always 125 kHz and the SpreadFactor is always 7-12

GLOBAL_CONF.JSON: SX1301_CONF.CHAN_LORA_STD

| Name | Type | Function |
|---|------------------|---|
| SX1301_conf.chan_lora_std Configure the concentrator Lora standard channel. | | |
| enable | bool | Enable or disable Lora standard channel configuration. If true, Lora standard channel configuration is enabled. Default value: false. |
| radio | unsigned integer | To which radio is the Lora std channel associated with to listen for packets. If enable=true, set radio. |
| if | signed integer | The Intermediate Frequency (IF) of the Lora standard channel in Hz. The channel frequency is the freq. setting of the associated radio plus the if setting. |
| bandwidth | unsigned integer | Bandwidth of the Lora standard channel in Hz. Allowed values: 125000, 250000 and 500000. |
| spread_factor | unsigned integer | Spread Factor of the Lora standard channel. Allowed values: 7-12 |

GLOBAL_CONF.JSON: SX1301_CONF.CHAN_FSK

| Name | Type | Function |
|--|------------------|---|
| SX1301_conf.chan_FSK Configure the concentrator modem. | | |
| enable | bool | Enable or disable modem configuration. If true, modem configuration is enabled. Default value: false. |
| radio | unsigned integer | To which radio is the modem associated with to listen for packets. If enable=true, set radio. |
| if | signed integer | Centre frequency of the modem in Hz. |
| bandwidth | unsigned integer | Bandwidth of the modem in Hz. Allowed values: 0-500000. |
| freq_deviation | unsigned integer | Freq deviation of the modem. If bandwidth is set, it has priority over freq_deviation |
| datarate | unsigned integer | Data rate of the modem in bps. |

RULES AND REGULATIONS

- In the `global_conf.json` file you can find the Intermediate Frequency channels (IF).
- All gateways must comply to certain rules and regulations when using the ISM band frequencies. These rules and regulations determines how the Intermediate Frequency channels came about.
- As already explained in Tutorial 3, in Europe, the European Telecommunications Standards Institute (ETSI) creates these standards which are used by the local regulatory authorities.
- In the US the Federal Communications Commission (FCC) creates these standards.
- Most countries are using the standards sets by either ETSI or FCC.

RULES AND REGULATIONS

- In the following demonstration I assume the gateway is operated in the Netherlands, an European country.
- In Europe the ISM band frequency range is between 863-870 MHz.
- Therefore the Intermediate Frequency channels mentioned in https://github.com/robertlie/RAK831-LoRaGateway-RPi/blob/master/configuration_files/EU-global_conf.json must comply with the rules and regulations set by the Dutch Authority, ETSI and others. In the next slides I will demonstrate this.

ETSI EN 300220

- For LoRa related ETSI documentation, search for standard number **300220-2** at <https://www.etsi.org/>.
Number 2 means the second part of this multipart document.
- The document of interest (ETSI EN 300 220-2) is called: *Short Range Devices (SRD) operating in the frequency range 25 MHz to 1000 MHz; Part 2: Harmonised Standard for access to radio spectrum for non specific radio equipment*
- In ETSI EN 300 220-2 v3.2.1 (2018-06), Annex B, table B.1, you can find the allowed power and duty cycles for the 863-870 MHz frequency range.

ETSI EN 300220

| Ref. | Freq Range [MHz] | ERP [mW] | Duty Cycle [%] |
|------|------------------|----------|----------------|
| K | 863.00-865.00 | 25 | <0.1 |
| L/M | 865.00-868.60 | 25 | <1 |
| N | 868.70-869.20 | 25 | <0.1 |
| P | 869.40-869.65 | 500 | <10 |
| Q | 869.70-870.00 | 25 | <1 |

DUTCH LAWS AND REGULATIONS

- Dutch laws and regulations regarding LoRa, see: *Regulation on the use of frequency space without a license and without reporting obligation 2015*
<https://wetten.overheid.nl/BWBR0036378/2016-12-28>
- In attachment 11, subcategory 1, you can find the allowed power and duty cycles for the 863-870 MHz frequency range.

DUTCH LAWS AND REGULATIONS

| No. | Freq Range [MHz] | ERP [mW] | Duty Cycle [%] |
|-----|------------------|----------|----------------|
| H1 | 863.00-865.00 | 25 | <0.1 |
| H2 | 865.00-868.60 | 25 | <1 |
| H3 | 868.70-869.20 | 25 | <0.1 |
| H4 | 869.40-869.65 | 500 | <10 |
| H7 | 869.70-870.00 | 25 | <1 |

COMPARISON DUTCH REGULATIONS & ETSI EN 300220

Dutch law and regulations

| No. | Freq Range [MHz] | ERP [mW] | Duty Cycle [%] |
|-----|------------------|----------|----------------|
| H1 | 863.00-865.00 | 25 | <0.1 |
| H2 | 865.00-868.60 | 25 | <1 |
| H3 | 868.70-869.20 | 25 | <0.1 |
| H4 | 869.40-869.65 | 500 | <10 |
| H7 | 869.70-870.00 | 25 | <1 |

ETSI EN 300220

| Ref. | Freq Range [MHz] | ERP [mW] | Duty Cycle [%] |
|------|------------------|----------|----------------|
| K | 863.00-865.00 | 25 | <0.1 |
| L/M | 865.00-868.60 | 25 | <1 |
| N | 868.70-869.20 | 25 | <0.1 |
| P | 869.40-869.65 | 500 | <10 |
| Q | 869.70-870.00 | 25 | <1 |

If I comply with the regulations set by ETSI EN 300220, I comply with the Dutch law and regulations.

LORAWAN REGIONAL PARAMETERS (EU863-870)

- The LoRa Alliance (<https://lora-alliance.org>) created a set of standards ensuring interoperability of all LoRaWAN products and technologies. For example they created the LoRaWAN Regional Parameters document, see: <https://lora-alliance.org/lorawan-for-developers>
- Search for this document in the Resource Hub and filter on Technical Documentation: <https://lora-alliance.org/resource-hub>
- In the LoRaWAN 1.0.2 Regional Parameters Revision B (2017 Feb), for the EU863-870 ISM band the following is specified:
 - The EU863-870 ISM Band channel frequencies applies to any region where the ISM radio spectrum use is defined by the ETSI 300220 standard.

LORAWAN REGIONAL PARAMETERS (EU863-870)

- For the EU863-870 ISM frequency band a maximum of 16 channels is supported.
- Three default channels **must** be implemented in every EU868MHz end-device. Those channels are the minimum set that all network gateways should always be listening on.

| Modulation | BW [kHz] | Channel Freq. [MHz] | FSK Bitrate or LoRa Data Rate | Duty Cycle [%] |
|------------|----------|------------------------------|-------------------------------|----------------|
| LoRa | 125 | 868.10, 868.30, 868.50 | DR0 – DR5 / 0.3-5 kbps | <1 |

- The remaining 13 channels can be freely attributed by the network operator.

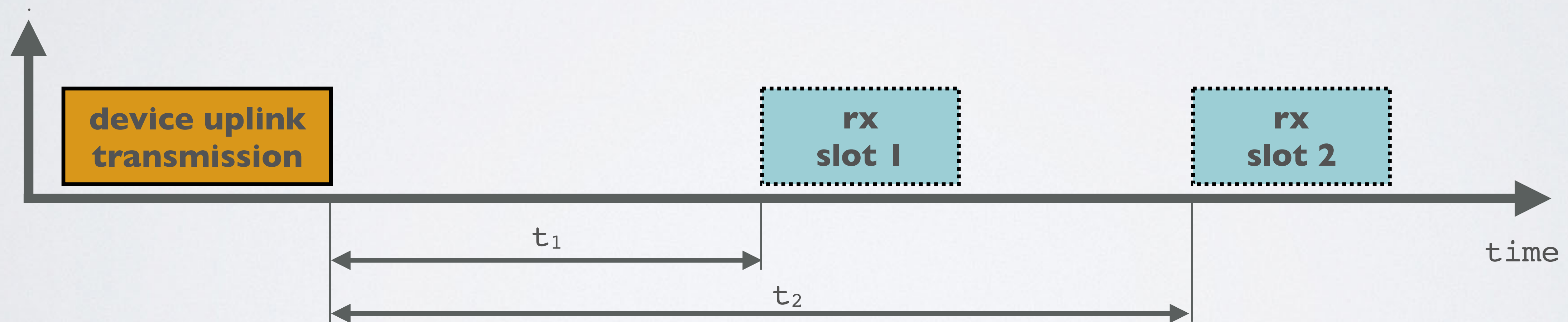
LORAWAN REGIONAL PARAMETERS (EU863-870)

- For the EU863-870 ISM frequency band the following encoding is used for Data Rate (DR):

| Data Rate | Configuration | Indicative physical bit rate [bit/s] |
|-----------|---------------------------|--------------------------------------|
| 0 | LoRa: SF12 /125 kHz | 250 |
| 1 | LoRa: SF11 /125 kHz | 440 |
| 2 | LoRa: SF10 /125 kHz | 980 |
| 3 | LoRa: SF9 /125 kHz | 1760 |
| 4 | LoRa: SF8 /125 kHz | 3125 |
| 5 | LoRa: SF7 /125 kHz | 5470 |
| 6 | LoRa: SF7 /250 kHz | 11000 |
| 7 | FSK: 50 kbps | 50000 |
| 8-15 | Reserved for Future Usage | |

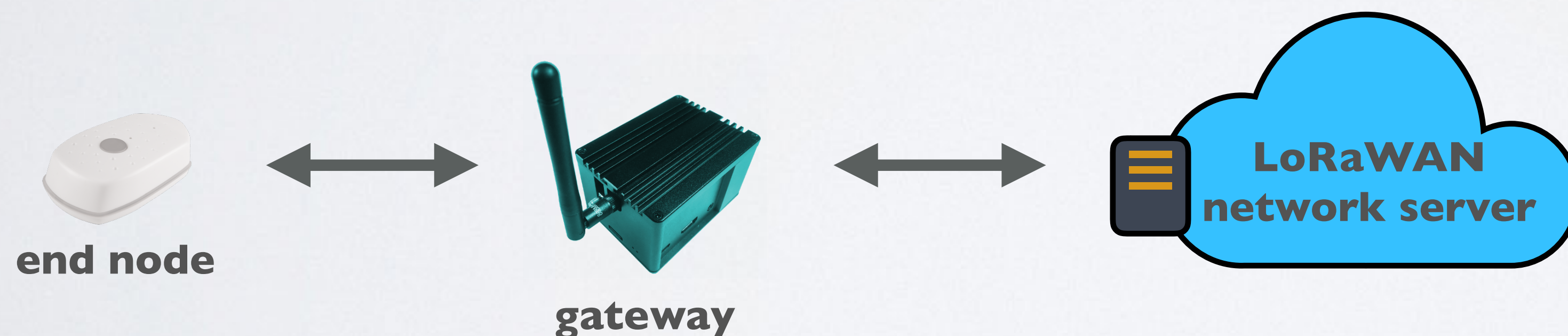
LORAWAN REGIONAL PARAMETERS (EU863-870)

- The RX1 receive window uses the same channel as the preceding uplink and the data rate is a function of the uplink data rate and an offset. To keep this tutorial short I will not elaborate on this.
- The RX2 receive window uses a fixed frequency and data rate. The default parameters are 869.525 MHz / DR0 (SF12, 125 kHz).



THE THINGS NETWORK EU863-870 FREQUENCY PLAN

- A list of frequency plan definitions used by The Things Network, see: <https://www.thethingsnetwork.org/docs/lorawan/frequency-plans.html>
- These frequency plans are based on what is specified in the LoRaWAN regional parameters document.
- It is important to understand that the frequency plan is intended for the LoRaWAN network server but also applies to the gateway and end node otherwise these 3 entities cannot communicate with each other.



THE THINGS NETWORK EU863-870 FREQ PLAN

Uplink

| Nr | Channel Freq. [MHz] | Data Rate |
|----|---------------------|---|
| 1 | 868.1 | SF7BW125 to SF12BW125 |
| 2 | 868.3 | SF7BW125 to SF12BW125 and SF7BW250 (DR 6) |
| 3 | 868.5 | SF7BW125 to SF12BW125 |
| 4 | 867.1 | SF7BW125 to SF12BW125 |
| 5 | 867.3 | SF7BW125 to SF12BW125 |
| 6 | 867.5 | SF7BW125 to SF12BW125 |
| 7 | 867.7 | SF7BW125 to SF12BW125 |
| 8 | 867.9 | SF7BW125 to SF12BW125 |
| 9 | 868.8 | FSK |

Downlink

Uplink channels 1-9 (RX1)
869.525 MHz - SF9BW125 (RX2 downlink only)

Note 1: The Things Network uses the non-standard SF9BW125 data rate for RX2 in Europe instead of SF12BW125. If your devices use OTAA, this will be configured automatically when they join. If your devices use ABP, you'll need to program this RX2 data rate into the devices in order to make them work with TTN. This will be explained in another tutorial.

Note 2: The RX1 Data Rates complies with the LoRaWAN EU863-870 regional parameters document.

Note 3: The bold values are mandatory according to the LoRaWAN EU863-870 regional parameters document.

Note 4: More information about receive window 1 (RX1) and receive window (RX2), see Tutorial 4.

Note 5: There is one channel with a fixed SF and BW. This channel is called "standard LoRa channel". See channel frequency 868.3 MHz, SF7BW250.

COMPARISON TTN EU863-870 & ETSI EN 300220

TTN EU863-870 UPLINK

| Nr | Channel Freq. [MHz] | Data Rate |
|----------|---------------------|---|
| 1 | 868.1 | SF7BW125 to SF12BW125 |
| 2 | 868.3 | SF7BW125 to SF12BW125 and SF7BW250 (DR 6) |
| 3 | 868.5 | SF7BW125 to SF12BW125 |
| 4 | 867.1 | SF7BW125 to SF12BW125 |
| 5 | 867.3 | SF7BW125 to SF12BW125 |
| 6 | 867.5 | SF7BW125 to SF12BW125 |
| 7 | 867.7 | SF7BW125 to SF12BW125 |
| 8 | 867.9 | SF7BW125 to SF12BW125 |
| 9 | 868.8 | FSK |

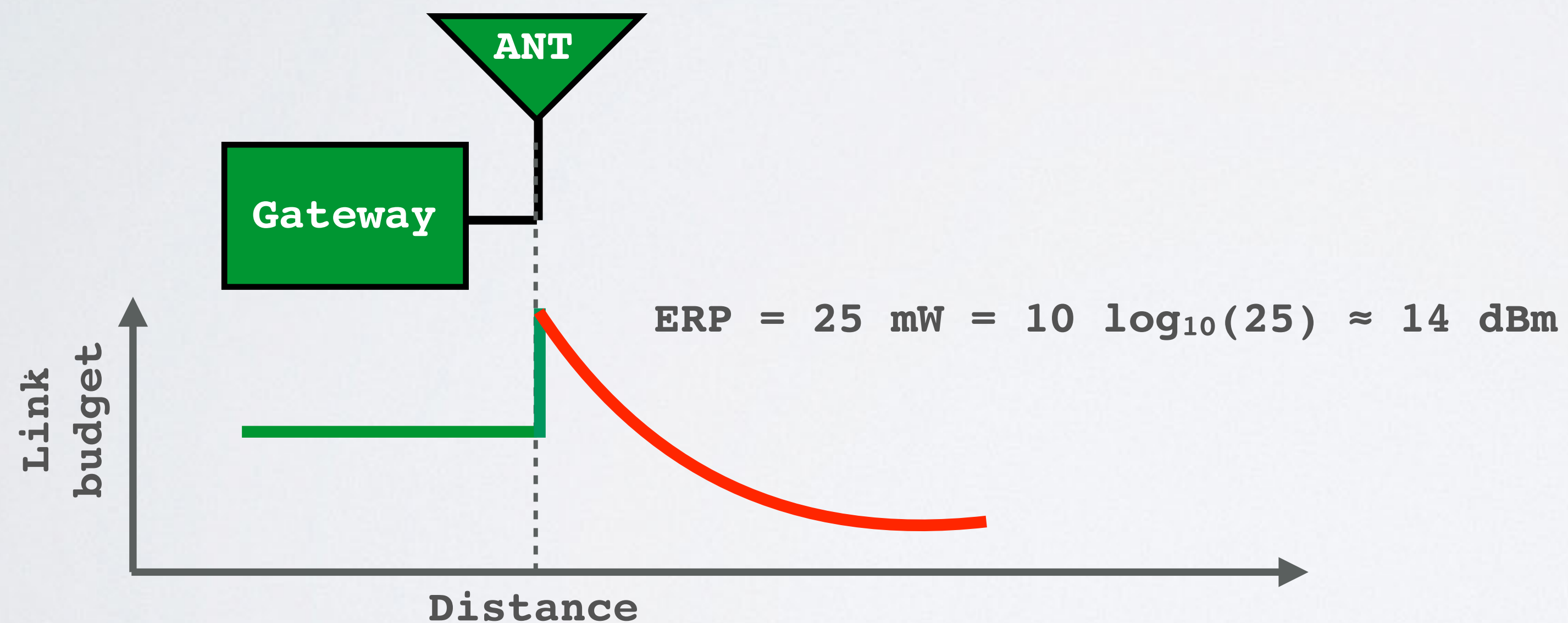
ETSI EN 300220

| Ref. | Freq Range [MHz] | ERP [mW] | Duty Cycle [%] |
|------|------------------|----------|----------------|
| K | 863.00-865.00 | 25 | <0.1 |
| L/M | 865.00-868.60 | 25 | <1 |
| N | 868.70-869.20 | 25 | <0.1 |
| P | 869.40-869.65 | 500 | <10 |
| Q | 869.70-870.00 | 25 | <1 |

TTN EU863-870 uplink complies with ETSI EN 300220

MAXIMUM ALLOWED ERP

- According to previous table (for uplink), for frequency range 865.00-868.60 MHz and 868.70-869.20 MHz, the maximum allowed ERP = 25 mW. More information about ERP, see Tutorial 9.
- 25 mW ERP is approximately 14 dBm (see Tutorial 5).



COMPARISON TTN EU863-870 & ETSI EN 300220

TTN EU863-870 DOWNLINK (**RX1**)

| Nr | Channel Freq. [MHz] | Data Rate |
|----|---------------------|--|
| 1 | 868.1 | SF7BW125 to SF12BW125 |
| 2 | 868.3 | SF7BW125 to SF12BW125 and SF7BW250 (DR 6) |
| 3 | 868.5 | SF7BW125 to SF12BW125 |
| 4 | 867.1 | SF7BW125 to SF12BW125 |
| 5 | 867.3 | SF7BW125 to SF12BW125 |
| 6 | 867.5 | SF7BW125 to SF12BW125 |
| 7 | 867.7 | SF7BW125 to SF12BW125 |
| 8 | 867.9 | SF7BW125 to SF12BW125 |
| 9 | 868.8 | FSK |
| | 869.525 | SF9BW125 (RX2) |

ETSI EN 300220

| Ref. | Freq Range [MHz] | ERP [mW] | Duty Cycle [%] |
|------|------------------|----------|----------------|
| K | 863.00-865.00 | 25 | <0.1 |
| L/M | 865.00-868.60 | 25 | <1 |
| N | 868.70-869.20 | 25 | <0.1 |
| P | 869.40-869.65 | 500 | <10 |
| Q | 869.70-870.00 | 25 | <1 |

TTN EU863-870 downlink complies with ETSI EN 300220

TTN EU863-870 & LORAWAN REGIONAL PARAMETERS

TTN EU863-870 (Uplink & Downlink)

| Nr | Channel Freq. [MHz] | Data Rate |
|----|---------------------|---------------------------------------|
| 1 | 868.1 | SF7BW125 to SF12BW125 |
| 2 | 868.3 | SF7BW125 to SF12BW125 and SF7BW250 |
| 3 | 868.5 | SF7BW125 to SF12BW125 |
| 4 | 867.1 | SF7BW125 to SF12BW125 |
| 5 | 867.3 | SF7BW125 to SF12BW125 |
| 6 | 867.5 | SF7BW125 to SF12BW125 |
| 7 | 867.7 | SF7BW125 to SF12BW125 |
| 8 | 867.9 | SF7BW125 to SF12BW125 |
| 9 | 868.8 | FSK |
| | 869.525 | SF9BW125 (RX2) |

LoRaWAN Regional Parameters (EU863-870)

| Data Rate | Configuration |
|-----------|---------------------------|
| 0 | LoRa: SF12 /125 kHz |
| 1 | LoRa: SF11 /125 kHz |
| 2 | LoRa: SF10 /125 kHz |
| 3 | LoRa: SF9 /125 kHz |
| 4 | LoRa: SF8 /125 kHz |
| 5 | LoRa: SF7 /125 kHz |
| 6 | LoRa: SF7 /250 kHz |
| 7 | FSK: 50 kbps |
| 8-15 | Reserved for Future Usage |

LoRaWAN Regional Parameters (EU863-870)

| Modulation | BW [kHz] | Channel Freq. [MHz] | FSK Bitrate or LoRa Data Rate | Duty Cycle [%] |
|------------|----------|------------------------|-------------------------------|----------------|
| LoRa | 125 | 868.10, 868.30, 868.50 | DR0 – DR5 / 0.3-5 kbps | <1 |

SEMTECH DATASHEET

- Commercial LoRa gateways uses the SX1301 or SX1308 chip (March 2019):
The SX1301 is intended for outdoor usage.
The ambient operating temperature is -40 to 80°C and it has a -142 dBm sensitivity.
The SX1308 is intended for indoor usage.
The ambient operating temperature is 0 to 70°C and has a -139 dBm sensitivity.
- According to the Semtech datasheets, both the SX1301 [Ref. 7] and SX1308 [Ref. 8] can scan up to 8 LoRa channels for preambles of all data rates at all times.
- Because of this TTN defined 8 uplink LoRa channels for the EU863-870 frequency plan.

GLOBAL_CONF.JSON FOR EU863-870

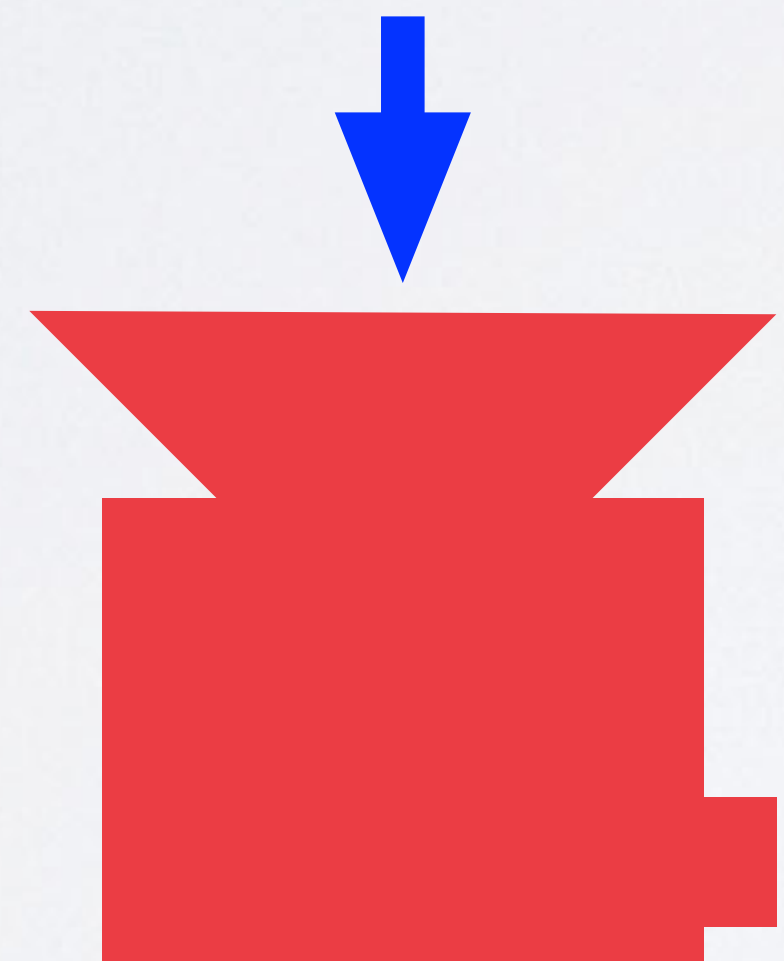
European Telecommunications Standards Institute: ETSI 300220-2

Dutch Authority: Dutch Laws and Regulations

LoRa Alliance: LoRaWAN Regional Parameters (EU863-870)

Network Operator eg. TTN: The Things Network EU863-870 freq. plan

Semtech datasheet: Hardware capabilities



global_conf.json

radio_N

chan_multiSF_N

chan_Lora_std

chan_FSK



STOP THIS
BORING TALK!
AND GET DOWN TO BUSINESS!

GLOBAL_CONF.JSON FOR EU863-870

| radio | Center freq. [MHz] | TX | chan_multiSF_N (if) [MHz] | | | | | | | | chan_Lora_std (if) [MHz] | chan_FSK (if) [MHz] |
|-------|--------------------|----|--|----------------------|-------------------|----------------------|----------------------|-------------------|---------------------|---------------------|--------------------------|------------------------------|
| | | | 0 | 1 | 2 | 3 | 4 | 5 | 6 | 7 | | |
| 0 | 867.5 | Y | | | | -0.4 867.1 | -0.2 867.3 | 0 867.5 | 0.2 867.7 | 0.4 867.9 | | |
| 1 | 868.5 | N | -0.4 868.1 | -0.2 868.3 | 0 868.5 | | | | | | -0.2 868.3 | 0.3 868.8 |
| | | | Hardcoded: BW=125kHz Hardcoded: SF=7-12 | | | | | | | | BW=250kHz SF=7 | BW=125kHz dataRate=50kpbs |

```

"radio_0": {
  "enable": true,
  "type": "SX1257",
  "freq": 867500000,
  "rssi_offset": -166.0,
  "tx_enable": true,
  "tx_freq_min": 863000000,
  "tx_freq_max": 870000000
},
"radio_1": {
  "enable": true,
  "type": "SX1257",
  "freq": 868500000,
  "rssi_offset": -166.0,
  "tx_enable": false
},

```

Note:

Both radios will be used for receiving packages, but only one radio will be used for transmitting packages.

GLOBAL_CONF.JSON FOR EU863-870

| radio | Center freq. [MHz] | TX | chan_multiSF_N (if) [MHz] | | | | | | | | chan_Lora_std (if) [MHz] | chan_FSK (if) [MHz] |
|-------|--------------------|----|--|----------------------|-------------------|----------------------|----------------------|-------------------|---------------------|---------------------|--------------------------|------------------------------|
| | | | 0 | 1 | 2 | 3 | 4 | 5 | 6 | 7 | | |
| 0 | 867.5 | Y | | | | -0.4 867.1 | -0.2 867.3 | 0 867.5 | 0.2 867.7 | 0.4 867.9 | | |
| 1 | 868.5 | N | -0.4 868.1 | -0.2 868.3 | 0 868.5 | | | | | | -0.2 868.3 | 0.3 868.8 |
| | | | Hardcoded: BW=125kHz Hardcoded: SF=7-12 | | | | | | | | BW=250kHz SF=7 | BW=125kHz dataRate=50kpbs |

```

"chan_multiSF_0": {
  "desc": "Lora MAC, 125kHz, all SF, 868.1 MHz",
  "enable": true,
  "radio": 1,
  "if": -400000
},
"chan_multiSF_1": {
  "desc": "Lora MAC, 125kHz, all SF, 868.3 MHz",
  "enable": true,
  "radio": 1,
  "if": -200000
},
"chan_multiSF_3": {
  "desc": "Lora MAC, 125kHz, all SF, 867.1 MHz",
  "enable": true,
  "radio": 0,
  "if": -400000
},

```

chan_multiSF_N

IF allowed values: -400000 to +400000 Hz

User can not set the BW and SF, hardcoded: BW=125 kHz, SF=7-12

GLOBAL_CONF.JSON FOR EU863-870

| radio | Center freq. [MHz] | TX | chan_multiSF_N (if) [MHz] | | | | | | | | chan_Lora_std (if) [MHz] | chan_FSK (if) [MHz] |
|-------|--------------------|----|--|----------------------|-------------------|----------------------|----------------------|-------------------|---------------------|---------------------|--------------------------|------------------------------|
| | | | 0 | 1 | 2 | 3 | 4 | 5 | 6 | 7 | | |
| 0 | 867.5 | Y | | | | -0.4 867.1 | -0.2 867.3 | 0 867.5 | 0.2 867.7 | 0.4 867.9 | | |
| 1 | 868.5 | N | -0.4 868.1 | -0.2 868.3 | 0 868.5 | | | | | | -0.2 868.3 | 0.3 868.8 |
| | | | Hardcoded: BW=125kHz Hardcoded: SF=7-12 | | | | | | | | BW=250kHz SF=7 | BW=125kHz datarate=50kpbs |

```

"chan_Lora_std": {
  "desc": "Lora MAC, 250kHz, SF7, 868.3 MHz",
  "enable": true,
  "radio": 1,
  "if": -200000,
  "bandwidth": 250000,
  "spread_factor": 7
},
"chan_FSK": {
  "desc": "FSK 50kbps, 868.8 MHz",
  "enable": true,
  "radio": 1,
  "if": 300000,
  "bandwidth": 125000,
  "datarate": 50000
},

```

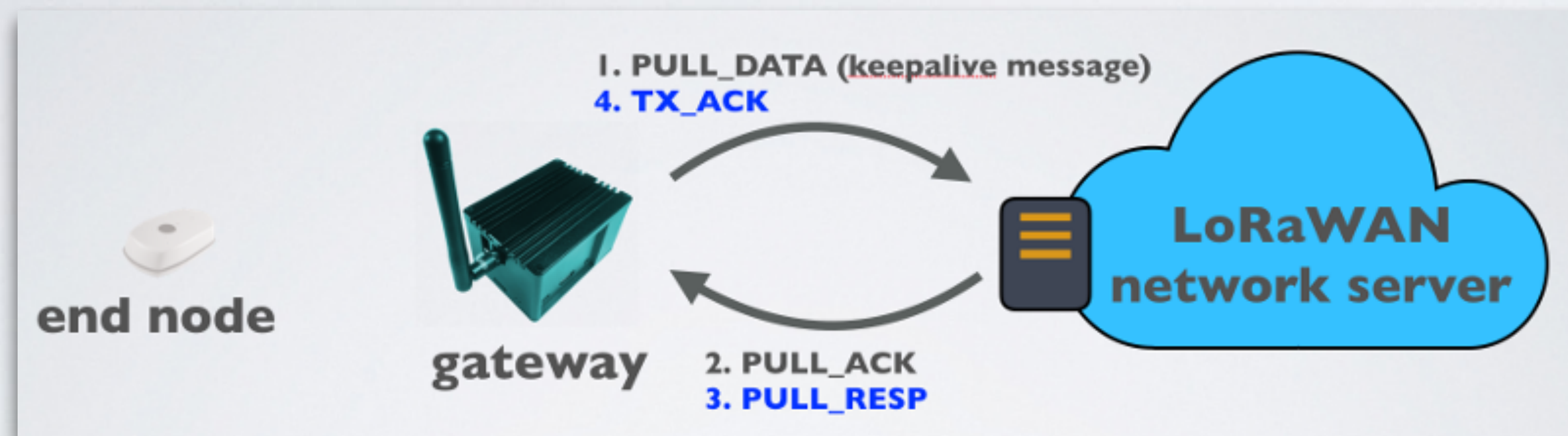
GLOBAL_CONF.JSON FOR EU863-870

| radio | Center freq. [MHz] | TX | chan_multiSF_N (if) [MHz] | | | | | | | | chan_Lora_std (if) [MHz] | chan_FSK (if) [MHz] |
|-------|--------------------|----|--|----------------------|-------------------|----------------------|----------------------|-------------------|---------------------|---------------------|--------------------------|------------------------------|
| | | | 0 | 1 | 2 | 3 | 4 | 5 | 6 | 7 | | |
| 0 | 867.5 | Y | | | | -0.4 867.1 | -0.2 867.3 | 0 867.5 | 0.2 867.7 | 0.4 867.9 | | |
| 1 | 868.5 | N | -0.4 868.1 | -0.2 868.3 | 0 868.5 | | | | | | -0.2 868.3 | 0.3 868.8 |
| | | | Hardcoded: BW=125kHz Hardcoded: SF=7-12 | | | | | | | | BW=250kHz SF=7 | BW=125kHz datarate=50kpbs |

- The frequencies mentioned in the table are **uplink frequencies**. It means the gateway scans these frequencies to check if there are end nodes sending packets at these frequencies.
- A gateway can also create downlinks whereby packets are transmitted from the gateway to end nodes.

GLOBAL_CONF.JSON FOR EU863-870

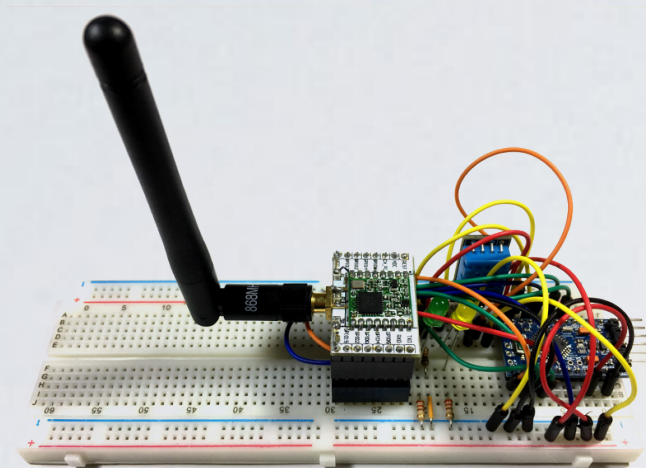
- But these downlink frequencies are set by the LoRaWAN network server in the PULL_RESP messages, see Tutorial 29.



- The gateway only checks if the downlink frequency is within a certain frequency range specified in the global_conf.json file.

```
"radio_0": {  
  "enable": true,  
  "type": "SX1257",  
  "freq": 867500000,  
  "rssi_offset": -166.0,  
  "tx_enable": true,  
  "tx_freq_min": 863000000,  
  "tx_freq_max": 870000000  
},  
  
"radio_1": {  
  "enable": true,  
  "type": "SX1257",  
  "freq": 868500000,  
  "rssi_offset": -166.0,  
  "tx_enable": false  
},
```

GLOBAL_CONF.JSON & TTN EU863-870



end node

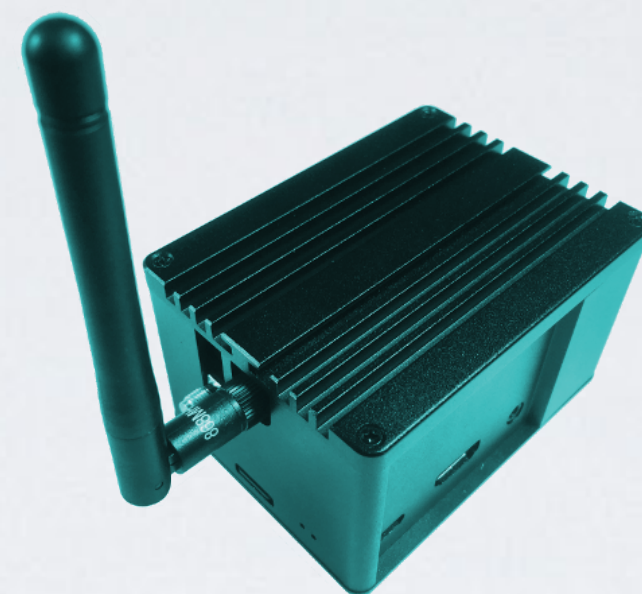
Arduino LMIC

End node uses
these freq.

868.1 (TX, RX1)
868.3 (TX, RX1)
868.5 (TX, RX1)
869.525 (RX2)

When registering the end node, using OTAA, during Join Accept these freq. are set by the LoRaWAN network server.

867.1 (TX, RX1)
867.3 (TX, RX1)
867.5 (TX, RX1)
867.7 (TX, RX1)
867.9 (TX, RX1)



gateway

global_conf.json

Gateway scans these frequencies.

868.1
868.3
868.5
867.1
867.3
867.5
867.7
867.9

868.8 (FSK)

Gateway transmits at frequencies which are set by the LoRaWAN network server (PULL_RESP).



In this setup:

- The end node sends data to TTN.
- The end node uses Arduino LMIC.
<https://github.com/matthijskooijman/arduino-lmic>
- The gateway uses the Semtech software:
https://github.com/Lora-net/lora_gateway
https://github.com/Lora-net/packet_forwarder

PULL_RESP

For example: 869.525, 868.1 etc.

GLOBAL_CONF.JSON & TTN EU863-870

| radio | Center freq. [MHz] | TX | chan_multiSF_N (if) [MHz] | | | | | | | | chan_Lora_std (if) [MHz] | chan_FSK (if) [MHz] |
|-------|--------------------|----|---|----------------------|-------------------|----------------------|----------------------|-------------------|---------------------|---------------------|---------------------------------|--|
| | | | 0 | 1 | 2 | 3 | 4 | 5 | 6 | 7 | | |
| 0 | 867.5 | Y | | | | -0.4 867.1 | -0.2 867.3 | 0 867.5 | 0.2 867.7 | 0.4 867.9 | | |
| 1 | 868.5 | N | -0.4 868.1 | -0.2 868.3 | 0 868.5 | | | | | | -0.2 868.3 | 0.3 868.8 |
| | | | Hardcoded: BW= 125kHz Hardcoded: SF=7-12 | | | | | | | | BW=250kHz SF=7 | BW=125kHz dataRate=50kpbs |

| Nr | Channel Freq. [MHz] | Data Rate |
|----|---------------------|---|
| 1 | 868.1 | SF7BW125 to SF12BW125 |
| 2 | 868.3 | SF7BW125 to SF12BW125 and SF7BW250 |
| 3 | 868.5 | SF7BW125 to SF12BW125 |
| 4 | 867.1 | SF7BW125 to SF12BW125 |
| 5 | 867.3 | SF7BW125 to SF12BW125 |
| 6 | 867.5 | SF7BW125 to SF12BW125 |
| 7 | 867.7 | SF7BW125 to SF12BW125 |
| 8 | 867.9 | SF7BW125 to SF12BW125 |
| 9 | 868.8 | FSK |
| | 869.525 | SF9BW125 (RX2) |

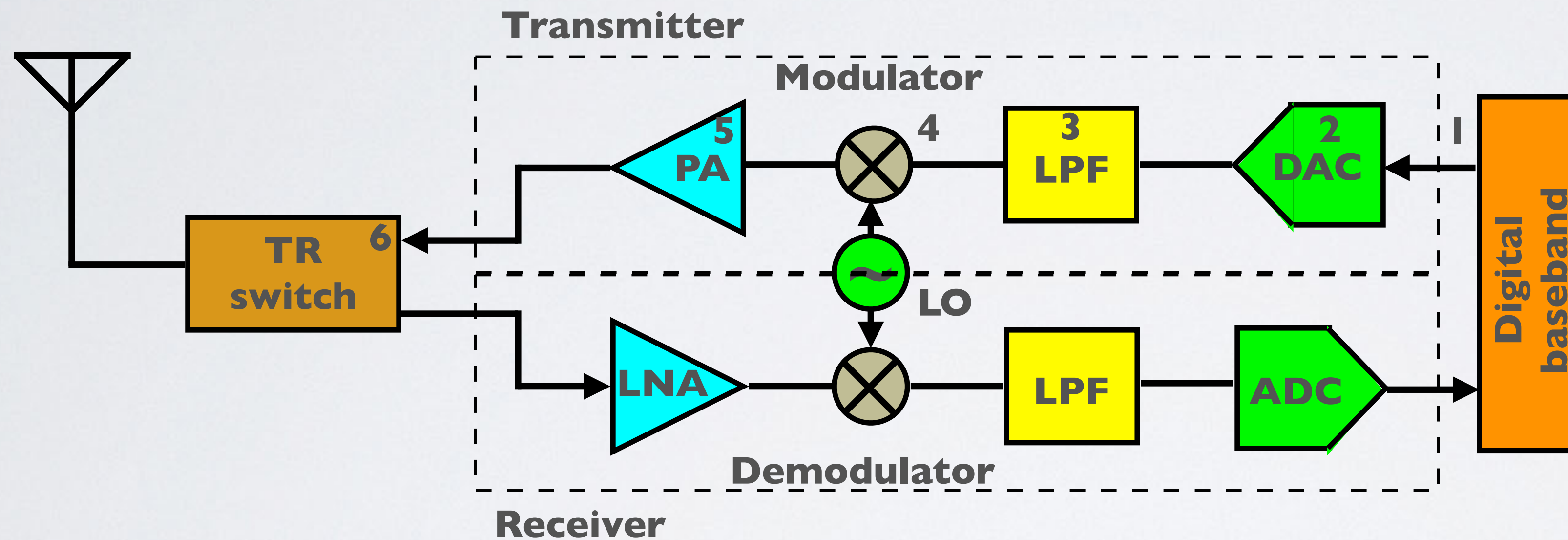
The **uplink** frequencies, bandwidths and Spreading Factors specified in the global_conf.json (radio_N, chan_multiSF_N, chan_lora_std and chan_FSK) complies with the TTN EU863-870 frequency plan.

Uplink channels: 1-9

Downlink channels: 1-9 (RX1) and 869.525, SF9BW125 (RX2).

DIGITAL RADIO TRANSCEIVER

- In the most basic form a LoRaWAN gateway is just a digital radio transceiver, and in general this is what a digital radio transceiver looks like:



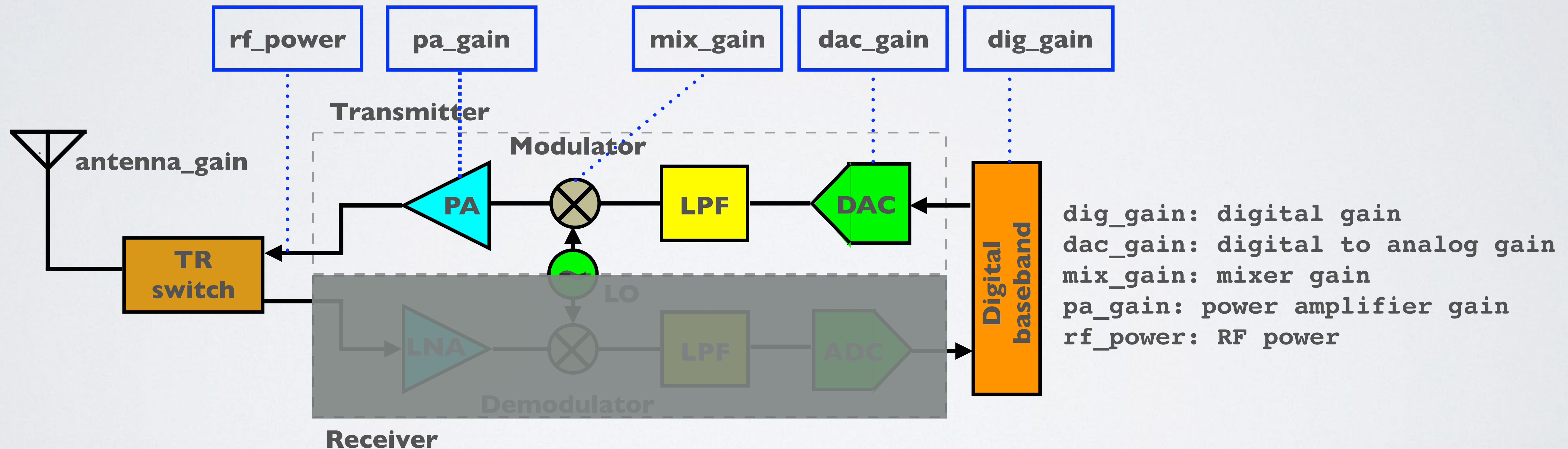
- It has a transmitter and a receiver path.
- Lets look at the transmitter path.

DIGITAL RADIO TRANSCEIVER

1. The digital data that contains the information that needs to be transmitted.
2. The Digital-to-Analog Converter (DAC) converts the digital data to an analog signal.
3. The Low Pass Filter (LPF) filters out the noise, etc from the analog signal.
4. A Local Oscillator (LO) generates a carrier signal and modulates the carrier signal onto the analog signal thus creating an RF signal.
5. The power amplifier boost the RF signal.
6. The Transmit/Receive (TR) switch sends the amplified RF signal to the transmitting antenna.

DIGITAL RADIO TRANSCEIVER

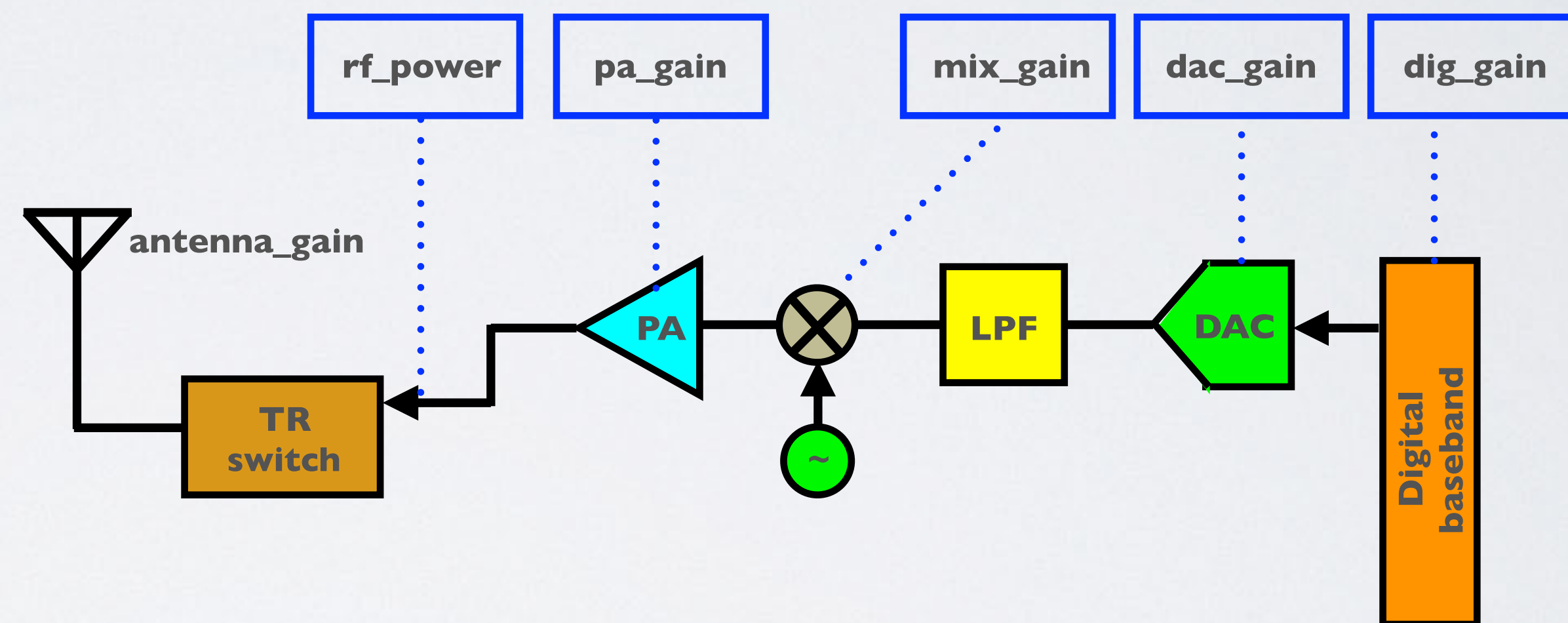
- The receiver works the same as the transmitter but in reverse order. By the way LNA stands for Low Noise Amplifier.
- Now lets only focus on the transmitter.



LUT PARAMETERS EXPLAINED

- The parameters `dig_gain`, `dac_gain`, `mix_gain`, `pa_gain` and `rf_power` can be found in the `global_conf.json` file, for example:

```
"tx_lut_9": {  
  /* TX gain table, index 9 */  
  "pa_gain": 2,  
  "mix_gain": 10,  
  "rf_power": 14,  
  "dig_gain": 0  
},
```



`dac_gain` is always 3 and is therefore not found in the configuration file.

- If a specific `rf_power` is needed the corresponding power settings (`pa_gain`, `mix_gain`, and `dig_gain`) can be found in the `global_config.json` LookUp Table (LUT).

GLOBAL_CONF.JSON: SX1301_CONF.TX_LUT_N

| Name | Required | Type | Function |
|--|----------|------------------|---|
| SX1301_conf.tx_lut_N (N=0-15). Configure the concentrator TX gain Look Up Table (LUT). These parameters are board dependant. TX gain LUT must have at least one entry. | | | |
| pa_gain | No | unsigned integer | Controls the external PA gain (SX1301 I/O). Allowed values: 0-3 Default value: 0. |
| dac_gain | No | unsigned integer | Controls the radio DAC gain. ONLY supported value dac_gain = 3. Default value: 3. |
| dig_gain | No | unsigned integer | Controls the SX1301 digital gain. Allowed values: 0 and 3. Default value: 0. |
| mix_gain | No | unsigned integer | Control the radio mixer gain. Allowed values: 8-14 Default value: 3 (will cause an error!). |
| rf_power | No | signed integer | Measured TX power at the board connector, in dBm. Default value: 0. |

LUT PARAMETERS EXPLAINED

- A maximum of 16 power settings can be configured (tx_lut_0 ... tx_lut_15).
These settings are board specific and have been selected during calibration for each concentrator.
- I have noticed that concentrators based on the Semtech SX1301 reference designs uses the same LUT power settings, see:
https://github.com/Lora-net/packet_forwarder/tree/master/lora_pkt_fwd/cfg
- Semtech created two SX1301 reference designs (see: https://github.com/Lora-net/packet_forwarder):
 - The Semtech reference design board SX1301API (PCB_E286) which uses no FPGA.
 - The Semtech reference design board SX1301AP2 (PCB_E336) which uses an FPGA.

LUT PARAMETERS EXPLAINED

- LUT power settings for Semtech reference design board **SXI301 no FPGA**, see: https://github.com/Lora-net/packet_forwarder/blob/master/lora_pkt_fwd/cfg/global_conf.json.PCB_E286.EU868.basic
- LUT power settings for Semtech reference design board **SXI301 with FPGA**, see: https://github.com/Lora-net/packet_forwarder/blob/master/lora_pkt_fwd/cfg/global_conf.json.PCB_E336.EU868.basic

LUT power settings SXI301 no FPGA

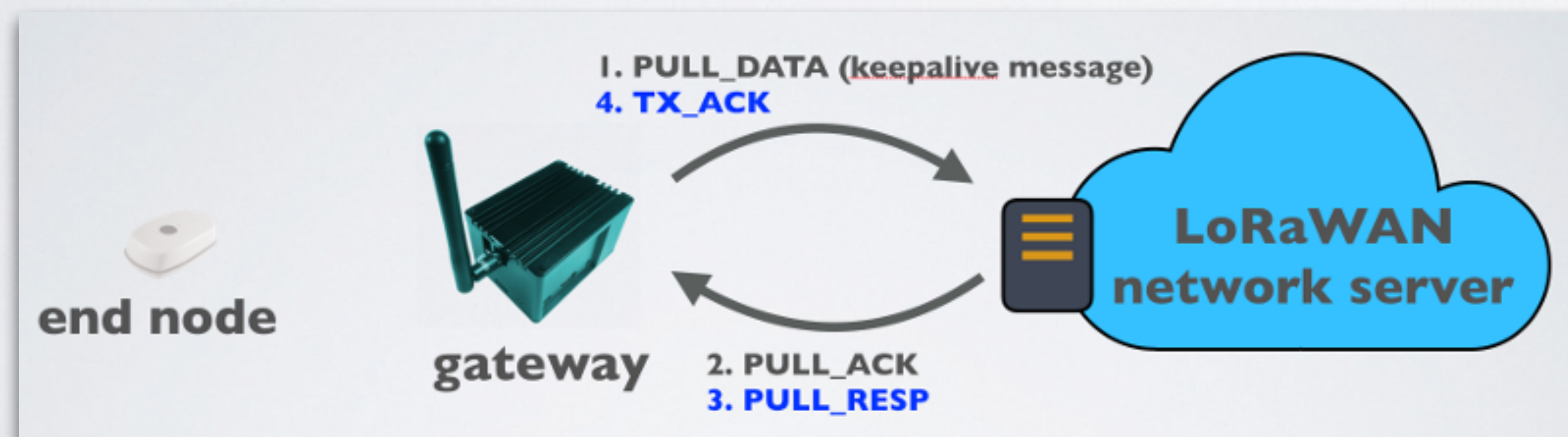
| | 0 | 1 | 2 | 3 | 4 | 5 | 6 | 7 | 8 | 9 | 10 | 11 |
|----------|-----------|-----------|----------|----------|----------|-----------|-----------|-----------|-----------|-----------|-----------|-----------|
| pa_gain | 0 | 0 | 0 | 1 | 1 | 1 | 1 | 2 | 1 | 2 | 2 | 3 |
| mix_gain | 8 | 10 | 12 | 8 | 10 | 12 | 13 | 9 | 15 | 10 | 11 | 9 |
| rf_power | -6 | -3 | 0 | 3 | 6 | 10 | 11 | 12 | 13 | 14 | 16 | 20 |
| dig_gain | 0 | 0 | 0 | 0 | 0 | 0 | 0 | 0 | 0 | 0 | 0 | 0 |

LUT power settings SXI301 with FPGA

| | 0 | 1 | 2 | 3 | 4 | 5 | 6 | 7 | 8 | 9 | 10 | 11 | 12 | 13 | 14 | 15 |
|----------|-----------|-----------|----------|----------|----------|-----------|-----------|-----------|-----------|-----------|-----------|-----------|-----------|-----------|-----------|-----------|
| pa_gain | 0 | 0 | 0 | 0 | 1 | 1 | 1 | 1 | 1 | 1 | 2 | 2 | 2 | 2 | 3 | 3 |
| mix_gain | 8 | 10 | 10 | 14 | 10 | 12 | 12 | 12 | 14 | 13 | 9 | 11 | 13 | 15 | 10 | 10 |
| rf_power | -6 | -3 | 0 | 3 | 6 | 10 | 11 | 12 | 13 | 14 | 16 | 20 | 23 | 25 | 26 | 27 |
| dig_gain | 3 | 3 | 1 | 2 | 3 | 2 | 1 | 0 | 2 | 0 | 2 | 1 | 1 | 2 | 2 | 1 |

LUT PARAMETERS EXPLAINED

- Always check the concentrators manuals which LUT power settings to use. Do not copy the previous LUT settings. But what is the purpose of these LUT power settings?
- When a downlink message is created a PULL_RESP message is send from the LoRaWAN network server to the gateway (see Tutorial 29). The txpk JSON object has the parameter “**powe**” which is the **proposed RF power** in dBm. See: https://www.mobilefish.com/download/lora/tcpdump_output_with_notes.txt



LUT PARAMETERS EXPLAINED

- This means the network server is in charge of requesting transmit powers.
- The gateway extracts the proposed RF power (powe) from the txpk JSON object.
The proposed RF powers are in fact ERP values.
- Lets assume powe=9 dBm, antenna_gain=2 **dBd** and the gateway concentrator uses the following LUT power settings:

LUT power settings SX1301 no FPGA

| | 0 | 1 | 2 | 3 | 4 | 5 | 6 | 7 | 8 | 9 | 10 | 11 |
|----------|-----------|-----------|----------|----------|----------|-----------|-----------|-----------|-----------|-----------|-----------|-----------|
| pa_gain | 0 | 0 | 0 | 1 | 1 | 1 | 1 | 2 | 1 | 2 | 2 | 3 |
| mix_gain | 8 | 10 | 12 | 8 | 10 | 12 | 13 | 9 | 15 | 10 | 11 | 9 |
| rf_power | -6 | -3 | 0 | 3 | 6 | 10 | 11 | 12 | 13 | 14 | 16 | 20 |
| dig_gain | 0 | 0 | 0 | 0 | 0 | 0 | 0 | 0 | 0 | 0 | 0 | 0 |

I am using dBd and **NOT** dBi,
because the proposed RF powers are in fact
ERP values.

In this tutorial the assumption is made that the
network server sends **ERP values and not EIRP**
values.

LUT PARAMETERS EXPLAINED

- The antenna_gain is subtracted from the proposed RF power (powe) to stay within the legal limits:

$$\mathbf{rf_power \ (dBm) = powe \ (dBm) - antenna_gain \ (dBd)}$$

- powe=8 dBm and antenna_gain=2 dBd **(This includes cable losses etc.)**
rf_power = 8 - 2 = 6 dBm
- The gateway searches the LUT for rf_power=6 dBm (see tx_lut_N in global_conf.json file).
- I will remind you again, these power settings are board specific and have been selected during calibration for each concentrator. As a gateway user you should not mess around with these settings.

LUT PARAMETERS EXPLAINED

- The gateway finds the entry `rf_power=6` dBm in the LUT.

LUT power settings SX1301 no FPGA

| | 0 | 1 | 2 | 3 | 4 | 5 | 6 | 7 | 8 | 9 | 10 | 11 |
|----------|-----------|-----------|----------|----------|----------|-----------|-----------|-----------|-----------|-----------|-----------|-----------|
| pa_gain | 0 | 0 | 0 | 1 | 1 | 1 | 1 | 2 | 1 | 2 | 2 | 3 |
| mix_gain | 8 | 10 | 12 | 8 | 10 | 12 | 13 | 9 | 15 | 10 | 11 | 9 |
| rf_power | -6 | -3 | 0 | 3 | 6 | 10 | 11 | 12 | 13 | 14 | 16 | 20 |
| dig_gain | 0 | 0 | 0 | 0 | 0 | 0 | 0 | 0 | 0 | 0 | 0 | 0 |

- The gateway now knows how to adjust the power amplifier gain (`pa_gain=1`), the mixer gain (`mix_gain=10`) and the digital gain (`dig_gain=0`) to obtain a 6 dBm TX output.

LUT PARAMETERS EXPLAINED

- If the `rf_power` is not found in the LUT than an error will be logged, the downlink packet will be rejected and de facto the packet is lost.
- The following logs are created with Semtech LoRa library (V5.0.1) and Semtech UDP Packet Forwarder (V4.0.1), by changing `rf_power=14` to `-14`.

```
Mar 12 12:22:50 ttn-gateway ttn-gateway[599]: JSON down: {"txpk":{"imme":false,"tmst":749257172,"freq":868.5,"rfch":0,"pove"14,"modu":"LORA","datr":"SF8BW125","codr":"4/5","ipol":true,"size":14,"ncrc":true,"data":"YJEvASYAAQABT61h2m4="}}
```

```
Mar 12 12:22:50 ttn-gateway ttn-gateway[599]:
```

```
ERROR: Packet REJECTED, unsupported RF power for TX - 14
```

[/var/log/syslog](#)

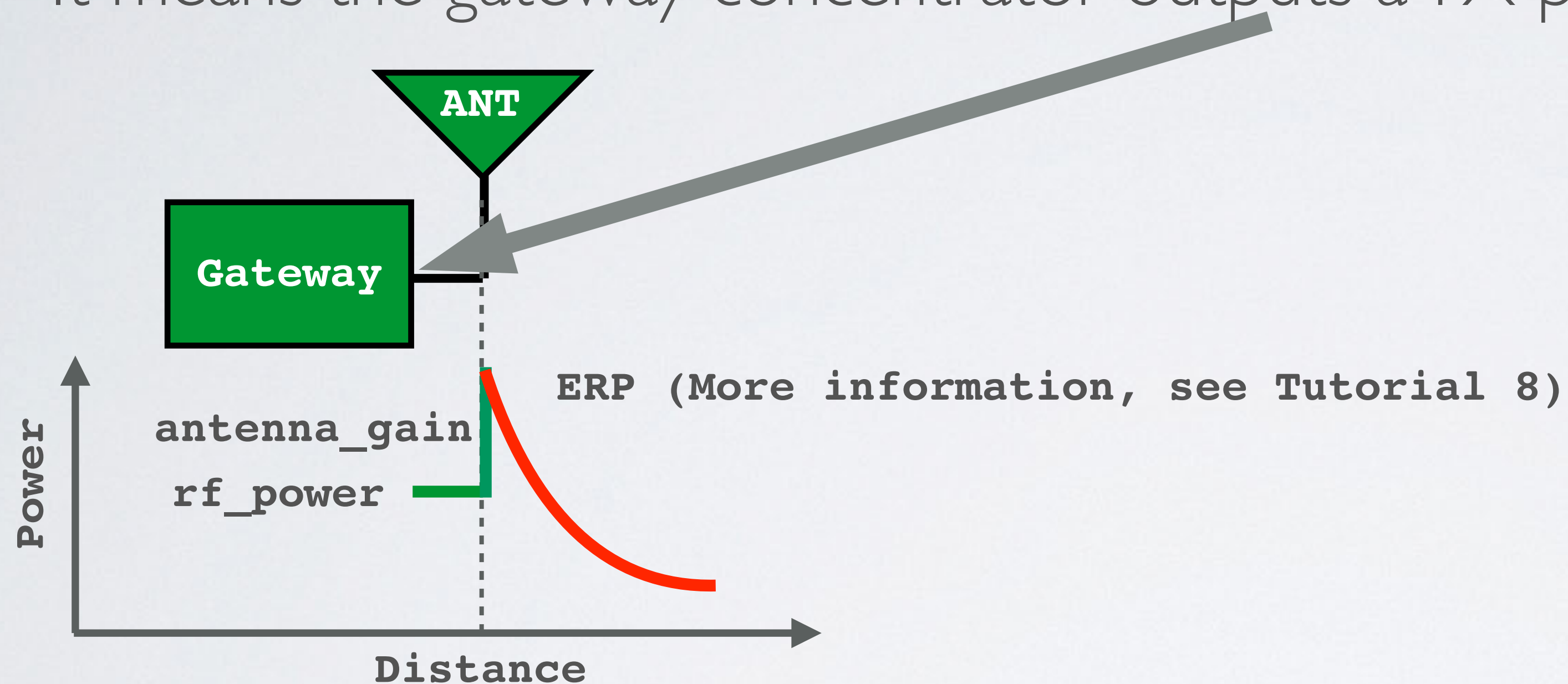
```
{"txpk":{"imme":false,"tmst":749257172,"freq":868.5,"rfch"0,"pove"14,"modu":"LORA","datr":"SF8BW125","codr":"4/5","ipol":true,"size":14,"ncrc":true,"data":"YJEvASYAAQABT61h2m4="}}
```

```
{"txpk_ack":{"error":"TX_POWER"}}
```

[sudo tcpdump -XUq port 1700 | tee tcpdump_output.txt](#)

LUT PARAMETERS EXPLAINED

- What does it mean an `rf_power = 6 dBm`?
It means the gateway concentrator outputs a TX power of 6 dBm.

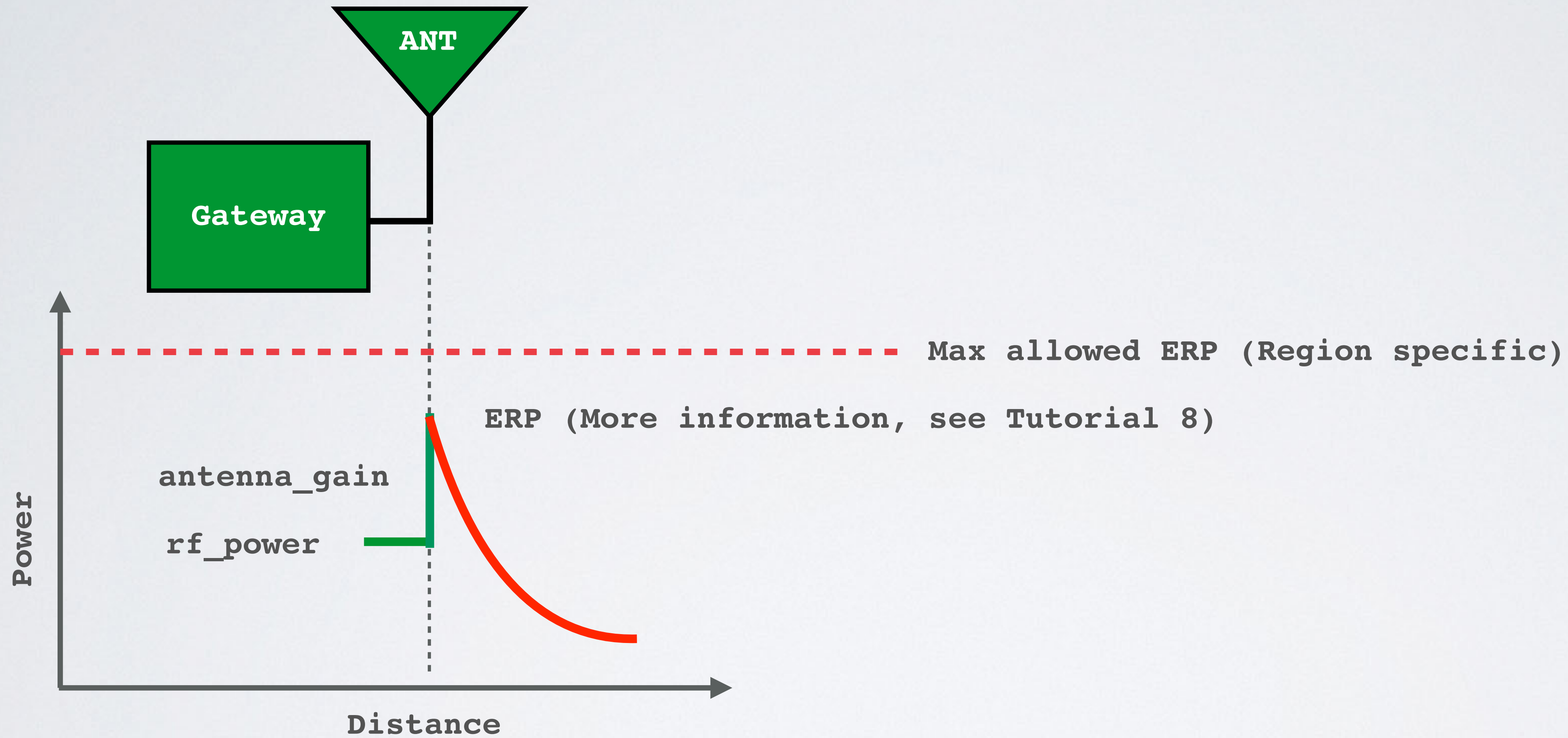


- $ERP = rf_power + antenna_gain$ (+ cable losses)

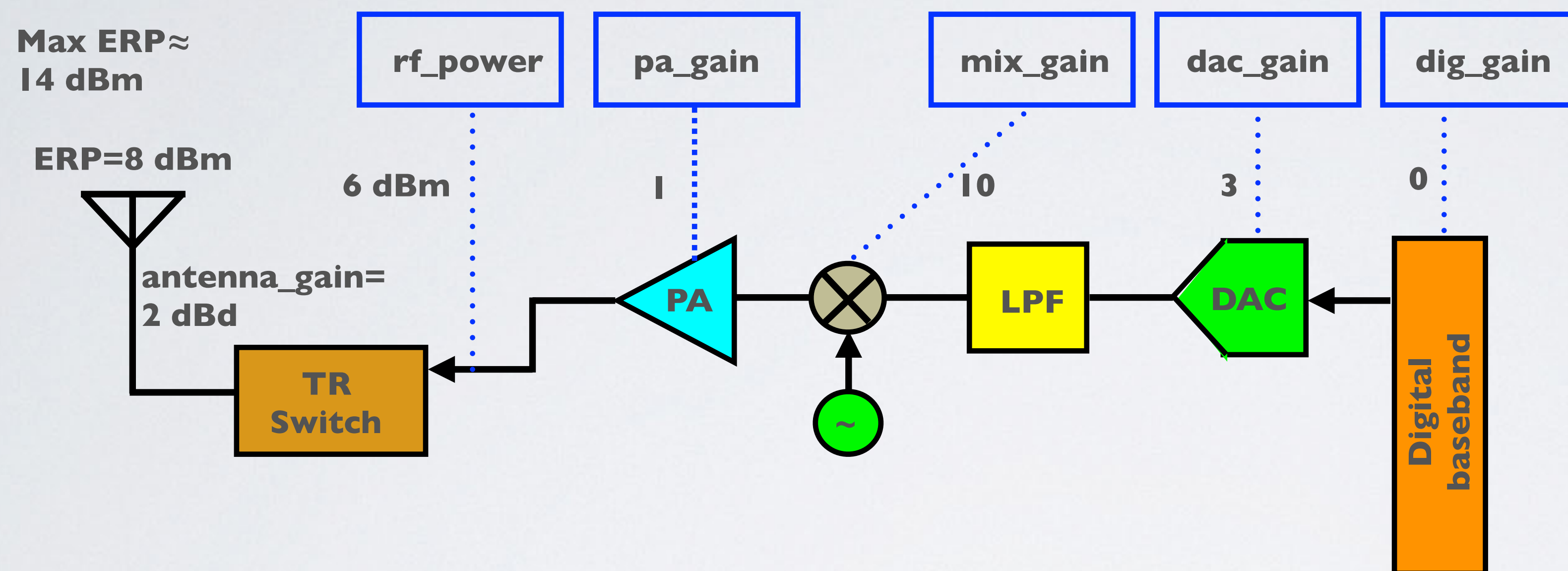
LUT PARAMETERS EXPLAINED

- $ERP = rf_power + antenna_gain$ (+ cable losses)
- It is important to specify the `antenna_gain` in the `global_conf.json` file, otherwise the ERP does not comply with the regulations.
- For example in the EU863-870 region, for frequency range 860.00-868.60 MHz and 868.70-869.20 MHz, the maximum allowed ERP = 25 mW \approx 14 dBm
- Convert `antenna_gain` in dBi to dBd:
 $dBd = dBi - 2.15$
- After ERP is calculated make sure:
ERP \leq Max allowed ERP

LUT PARAMETERS EXPLAINED



LUT PARAMETERS EXPLAINED



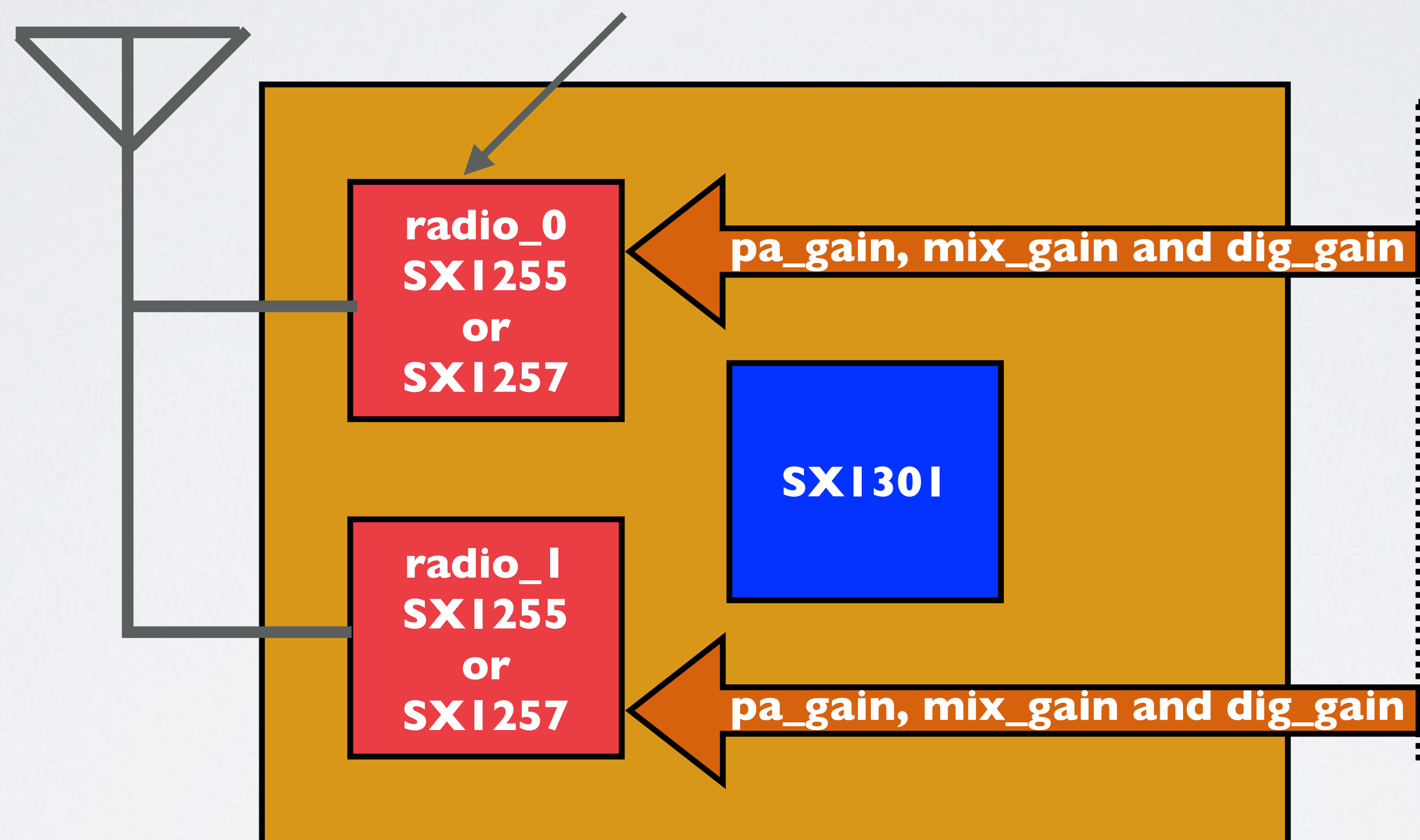
- In this example, the ERP is 8 dBm ($= \text{rf_power} + \text{antenna_gain} + \text{cable losses}$) for the downlink.
- If the max allowed ERP \approx 14 dBm than this power complies with the EU863-870 regulations.

LUT PARAMETERS EXPLAINED

Eight channels to RX/TX
LoRa packets

| |
|----------------|
| chan_multiSF_0 |
| chan_multiSF_1 |
| chan_multiSF_2 |
| chan_multiSF_3 |
| chan_multiSF_4 |
| chan_multiSF_5 |
| chan_multiSF_6 |
| chan_multiSF_7 |
| chan_Lora_std |
| chan_FSK |

One of the radios is used for transmission



Look Up Table (LUT)

| | |
|----------|-----------|
| tx_lut_0 | tx_lut_8 |
| tx_lut_1 | tx_lut_9 |
| tx_lut_2 | tx_lut_10 |
| tx_lut_3 | tx_lut_11 |
| tx_lut_4 | tx_lut_12 |
| tx_lut_5 | tx_lut_13 |
| tx_lut_6 | tx_lut_14 |
| tx_lut_7 | tx_lut_15 |